



## Features & Options

- 10 Pressure Ranges and 5 Output Options
  - Standard, Low and High Range Models
  - Non-Flow-Through Sensor
- IP66-rated Enclosure with Hinged Cover
  - NIST Certificate Available at No Extra Charge
  - Outputs, Ranges & Units Easily Set Without Power
  - Optional Display Aids in Troubleshooting by Showing the Actual Pressure Regardless of the Selected Range
  - Three Pressure Status LEDs for "Line of Sight Troubleshooting"
  - Simple Auto-Zeroing Process by Dead-Heading Low and High Ports and Pressing Auto-Zero Button

ANOTHER ORIGINAL BAPI



CE

5 YEAR WARRANTY

ZPM BAPI-Box

## Specifications

### Power:

7 to 40 VDC (4 to 20 mA Output)  
7 to 40 VDC or 18 to 32 VAC (0 to 5 or 1 to 5V Output)  
13 to 40 VDC or 18 to 32 VAC (0 to 10 or 2 to 10V Output)

### Power Consumption:

20 mA max, DC only at 4 to 20 mA Output  
5.2 mA max DC at 0 to 5 or 0 to 10 VDC Output  
0.12 VA max AC at 0 to 5 or 0 to 10 VDC Output

### Load Resistance:

4 to 20 mA Output: 850 $\Omega$  Maximum @ 24 VDC  
Voltage Output: 6K $\Omega$  Minimum

### Accuracy: $\pm 0.25\%$ FS at 77°F (25°C)

Low Range:  $\pm 0.005$ " WC ( $\pm 1.24$  Pa)  
Standard Range:  $\pm 0.025$ " WC ( $\pm 6.22$  Pa)  
High Range:  $\pm 0.075$ " WC ( $\pm 18.66$  Pa)

### Total Error Band\*:

Low Range:  $\pm 1.25\%$  FS or  $\pm 0.025$ " WC ( $\pm 6.22$  Pa)  
Standard Range:  $\pm 0.5\%$  FS or  $\pm 0.05$ " WC ( $\pm 12.44$  Pa)  
High Range:  $\pm 0.5\%$  FS or  $\pm 0.15$ " WC ( $\pm 37.33$  Pa)

### Temp Hysteresis & Stability (for 1000 hours):

Low Range:  $\pm 0.35\%$  at 77°F (25°C)  
Standard & High Range:  $\pm 0.25\%$  at 77°F (25°C)

### Overpressure:

Low Range: Proof 270" WC (67 kPa)  
Standard Range: Proof 300" WC (74 kPa)  
High Range: Proof 350" WC (87 kPa)

**Media:** Clean, dry, non-corrosive gases

**Wiring:** 3 wires (2 wires for 4 to 20mA output)

### Environmental Operating Range:

-4 to 140°F (-20 to 60°C)

**Storage Temp:** -40 to 185°F (-40 to 85°C)

**Humidity:** 0 to 95% RH, non-condensing

**Port Size:** 1/4" barb (6.3mm)

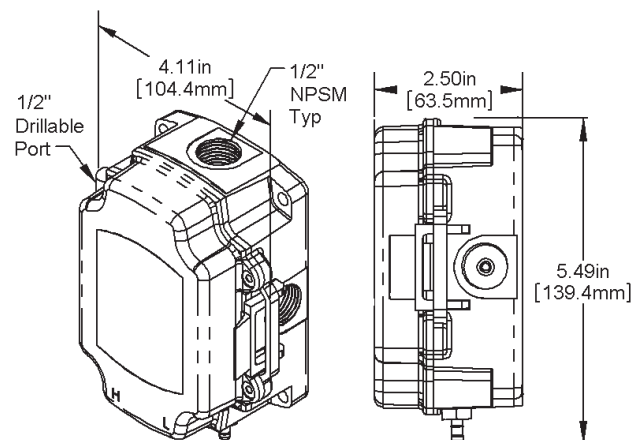
### Enclosure Material:

UV-resistant Polycarbonate, UL94 V-0

**Enclosure Rating:** IP66, NEMA 4

### Agency:

CE EN 61326-1:2013 EMC (Industrial Electromagnetic Environment), RoHS



\*Total Error Band is the accuracy within the compensated temperature range of 32 to 122°F (0 to 50°C). The Total Error Band covers non-linearity, hysteresis and thermal effect on span. This is only valid after the initial startup and auto-zero process has been performed.





# ZPM BAPI-Box - Precision Accuracy $\pm 0.25\%$

Zone Pressure Multi-Sensor (ZPM) in an IP66 enclosure

D9

## Precision Accuracy ( $\pm 0.25\%$ ) Unit Ordering Information

**PART NUMBER**            **DESCRIPTION**

### STANDARD RANGE UNITS

- BA/ZPM-SR-NT-D-BB**..... Standard Range, No Probe included, with Display,  $\pm 0.25\%$  Accuracy
- BA/ZPM-SR-ST-D-BB**..... Standard Range, Static Probe and Display,  $\pm 0.25\%$  Accuracy
- BA/ZPM-SR-AT-D-BB**..... Standard Range, Attached Static Probe and Display,  $\pm 0.25\%$  Accuracy
- BA/ZPM-SR-NT-ND-BB**... Standard Range, No Probe included, No Display,  $\pm 0.25\%$  Accuracy
- BA/ZPM-SR-ST-ND-BB**... Standard Range, Static Probe, No Display,  $\pm 0.25\%$  Accuracy
- BA/ZPM-SR-AT-ND-BB**... Standard Range, Attached Static Probe, No Display,  $\pm 0.25\%$  Accuracy

### LOW RANGE UNITS

- BA/ZPM-LR-NT-D-BB**..... Low Range, No Probe included, with Display,  $\pm 0.25\%$  Accuracy
- BA/ZPM-LR-ST-D-BB**..... Low Range, Static Probe and Display,  $\pm 0.25\%$  Accuracy
- BA/ZPM-LR-AT-D-BB**..... Low Range, Attached Static Probe and Display,  $\pm 0.25\%$  Accuracy
- BA/ZPM-LR-NT-ND-BB**... Low Range, No Probe included, No Display,  $\pm 0.25\%$  Accuracy
- BA/ZPM-LR-ST-ND-BB**... Low Range, Static Probe, No Display,  $\pm 0.25\%$  Accuracy
- BA/ZPM-LR-AT-ND-BB**... Low Range, Attached Static Probe, No Display,  $\pm 0.25\%$  Accuracy

### HIGH RANGE UNITS

- BA/ZPM-HR-NT-D-BB**..... High Range, No Probe included, with Display,  $\pm 0.25\%$  Accuracy
- BA/ZPM-HR-ST-D-BB**..... High Range, Static Probe and Display,  $\pm 0.25\%$  Accuracy
- BA/ZPM-HR-AT-D-BB**..... High Range, Attached Static Probe and Display,  $\pm 0.25\%$  Accuracy
- BA/ZPM-HR-NT-ND-BB**... High Range, No Probe included, No Display,  $\pm 0.25\%$  Accuracy
- BA/ZPM-HR-ST-ND-BB**... High Range, Static Probe, No Display,  $\pm 0.25\%$  Accuracy
- BA/ZPM-HR-AT-ND-BB**... High Range, Attached Static Probe, No Display,  $\pm 0.25\%$  Accuracy

**Your Number: BA/ZPM-**

Note: Pressure Range, Output Range and Inches of Water Column or Pascal Operation will be selected in the field for all ZPM BAPI-Box Pressure Sensors.

