



Features & Options

- NSF certified¹ with food and dishwasher safe materials
- User adjustable settings to maximize battery life while ensuring the BMS gets the info it needs
- Transmits to a receiver and output modules with multiple integration methods into the BMS

BAPI's Wireless Food Probe measures the temperature and transmits the data via Bluetooth Low Energy to a receiver and output modules with multiple integration methods into the BMS. The food probes eliminate the need for an employee to hand record the temperatures with a thermometer for HACCP compliance. Bin clips are available to fit most food bins. The probe is designed for dishwasher or hand washing.

Because the probes are designed for wet, dusty or dirty environments, there are many additional applications including cooling towers, steam humidifiers or dusty/wet conveyor systems.



Wireless Food Probe with and without optional bin clip

Probe with optional bin clip inside a bin

Specifications

Power: One included Lithium 1/2AA Battery, 3.6V

Temperature Sensor Accuracy:
(Calibrated using a NIST traceable reference)
±0.7°F (0.4°C) from 32 to 158°F (0 to 70°C)
±1.8°F (1.0°C) from 158 to 212°F (70 to 100°C)

Temperature Range: -4 to 221°F (-20 to 105°C)

Transmission Distance: Varies by application²

Environmental Operation Range:
Probe Only: -4 to 230°F (-20 to 110°C)
Entire Unit: -40 to 185°F (-40 to 85°C)
Washing Spike Temp: 212°F (100°C)
Humidity: 0 to 100% RH Condensing

User Adjustable Settings:
Delta T (Temp): 0.1°F/C to 5.0°F/C
Transmit Interval: 30 sec to 12 hour⁴
Transmit Interval: 1 min to 30 min
Sample Interval: 30 sec to 5 min

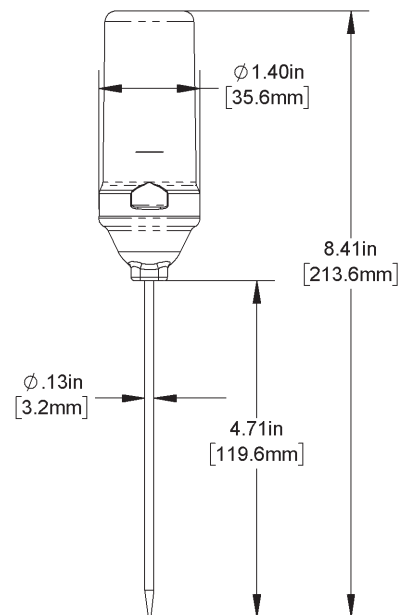
Enclosure Material: Food Safe Plastic

Frequency: 2.4 GHz (Bluetooth Low Energy)

Receiver Sensitivity: -97 dBm

Probe Material: 304 SS, 1/8" (3.2mm) diameter

Agency: RoHS | NSF Certified¹ |
Contains FCC ID: QOQGM210P / IC: 5123A-GM210P



¹NSF certification applies to the Wireless Food Probe only.

²In-building range is dependent on obstructions such as furniture and walls and the density of those materials. In wide open spaces, the distance may be greater; in dense spaces, the distance may be less.

³Actual battery life is dependent on the sensor's adjustable settings and environmental conditions.

Food Probe Calculated Battery Life ³		
Transmit Interval	Sample Rate	Estimated Life (years)
30 sec	30 sec	0.25
1 min	1 min	0.42
3 min	1 min	0.55
5 min	5 min	1.45
10 min	5 min	1.96





Ordering Information

PART NUMBER

BA/WFP-BLE-PT.. Wireless Food Temperature Probe

BA/BAT-5AA-HIT.. Lithium ½AA Battery, 3.6V, for the Wireless Food Probe

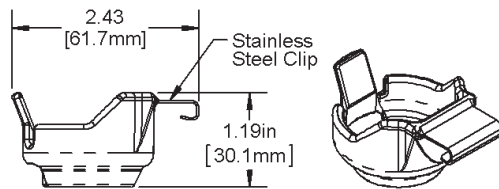
BA/FP-CLP4Fixed Depth Clip for Stainless Steel Square Food Bins (Black Plastic)

BA/FP-CLP5Fixed Depth Clip for Plastic Square Food Bins (Amber Plastic)

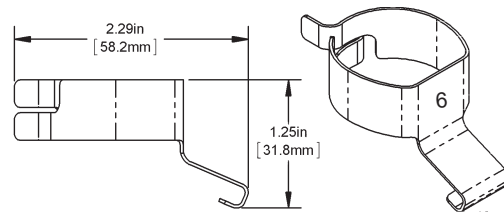
BA/FP-CLP6Adjustable Depth Clip for Plastic Square Bins (“6” stamp on flat)

BA/FP-CLP7Adjustable Clip for Stainless Steel Square Bins (“7” stamp on flat)

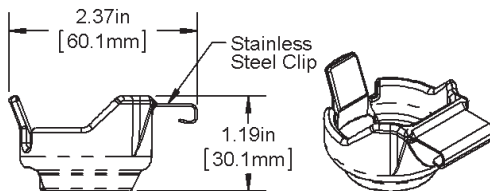
BA/FP-CLP-KIT... Clip Kit (includes 1 each of BA/FP-CLP4, BA/FP-CLP5, BA/FP-CLP6, BA/FP-CLP7)



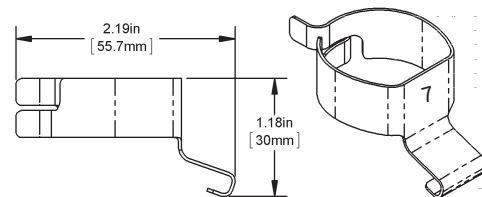
Fixed Depth Clip for Most Plastic Square Bins (Amber Plastic)



Adjustable Depth Bin Clip for Most Plastic Square Bins (“6” stamp on flat)



Fixed Depth Clip for Most Stainless Steel Square Bins (Black Plastic)



Adjustable Depth Bin Clip for Most SS Square Bins (“7” stamp on flat)



Associated Receiver and Output Modules

- **RECEIVER** - Collects the data from up to 28 wireless sensors and transfers the data to the Analog Output Modules.
- **OUTPUT MODULES** - Convert the data for integration into the management level BACnet IP network, the BACnet MS/TP or Modbus RTU field level network or the analog inputs of a controller.

