



Overview

The Resistance Output Module (ROM) converts the temperature data from the BAPI Receiver into a Resistance for the BAS controller. The unit is factory calibrated to output a 10K-2, 10K-3, 10K-3(11K) or 20K thermistor curve.

The ROM receives data from the receiver through a four-wire bus. Up to 127 different Output Modules can be connected to a single receiver to send multiple variables to the controller.

The ROM is easily trained to a single sensor variable with a pushbutton and LED. The ROM is surface, 2.75" snaptrack or 35mm DIN rail mountable.

The ROM is powered by the receiver. Optionally, the ROM may be powered separately when the Pluggable Terminal Block Kit is used for remote connections.



Resistance Output Module - ROM



Receiver with two Analog Output Modules



Specifications

Supply Power:
15 to 24 VDC (from half wave rectified supply)

Power Consumption:
20 mA @ 24 VDC

Analog Input Bias Voltage: 10 VDC max

Temperature Output Ranges:
10K-2 Unit:..... 35 to 120°F (1 to 50°C)
10K-3 Unit:..... 32 to 120°F (0 to 50°C)
10K-3(11K) Unit:.... 32 to 120°F (0 to 50°C)
20K Unit:..... 53 to 120°F (12 to 50°C)

Output Resolution: 100Ω

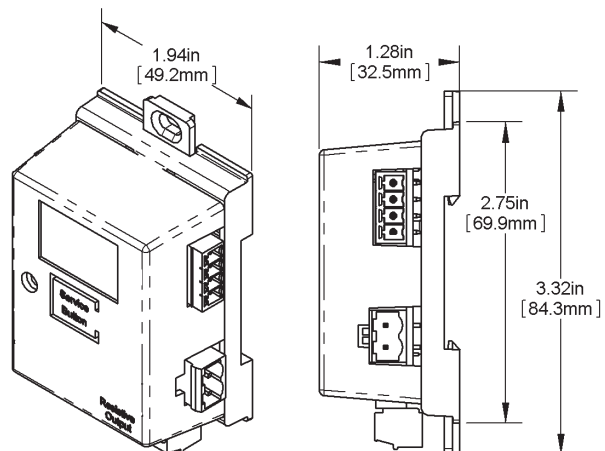
Lost Comm. Timeout: 35 min. (Fast Flash)
Reverts to High Resistance >35KΩ (Low Temp.)

Bus Cable Distance:
4,000 ft with shielded, twisted pair cable

Environmental Operation Range:
Temp: 32 to 140°F (0 to 60°C)
Humidity: 5 to 95% RH non-condensing

Enclosure Material & Rating:
ABS Plastic, UL94 V-0

Agency: RoHS





Ordering Information

PART NUMBERS

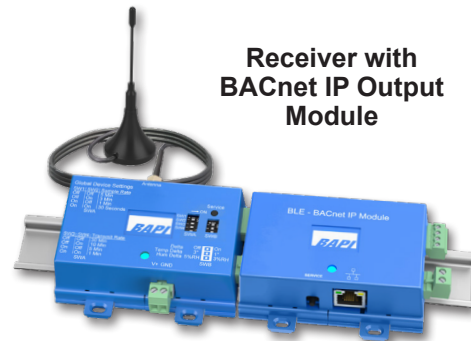
- BA/ROM-BLE-102-EZ** Resistance Output Module, 10K-2 thermistor curve
- BA/ROM-BLE-103-EZ** Resistance Output Module, 10K-3 thermistor curve
- BA/ROM-BLE-10311-EZ**..... Resistance Output Module, 10K-3(11K) thermistor curve
- BA/ROM-BLE-20-EZ** Resistance Output Module, 20K thermistor curve

Associated Receiver and Digital Output Modules

RECEIVER - Collects the data from up to 28 wireless sensors and transfers the data to the Analog or Digital Output Modules for integration into the BAS.

DIGITAL OUTPUT MODULES - Besides integration of the wireless data through the analog inputs of a controller, BAPI's system also allows integration through the BAS communication networks.

- **BACnet IP Module** - converts the data from up to 28 sensors for integration into the management level BACnet IP network.
- **BACnet MS/TP or Modbus RTU Module** - Converts the data from up to 28 sensors for integration into the field level BACnet or Modbus Network.



Receiver with
BACnet IP Output
Module

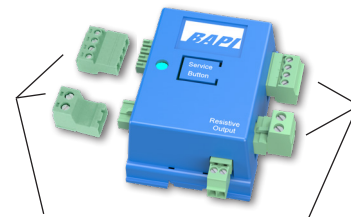


Pluggable Terminal Blocks

Analog Output Modules (AOMs) plug into each other and the receiver as shown above. However, the AOMs may also be mounted remotely using the optional Pluggable Terminal Block Connectors which are available as a 4-connector kit.

PART NUMBER:

BA/AOM-CONN ..Pluggable Terminal Block Kit



Optional Pluggable Terminal
Block Kit (4 Connectors)

Wireless Site Verification App

BAPI recommends that all wireless customers conduct a site verification and send the information to BAPI prior to installing the system to ensure optimum performance. Our experts will review the data and follow up with an approval or recommendations if needed. A site verification app is available on the BAPI website at:

<https://www.bapihvac.com/wireless-site-verification/>

