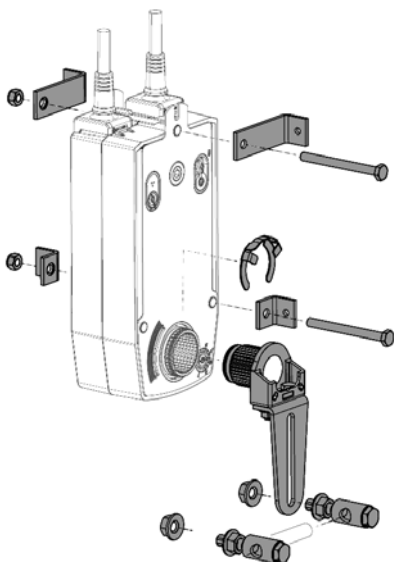
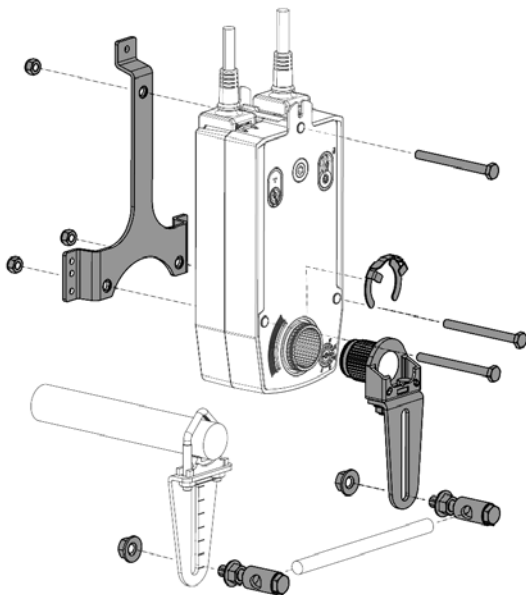
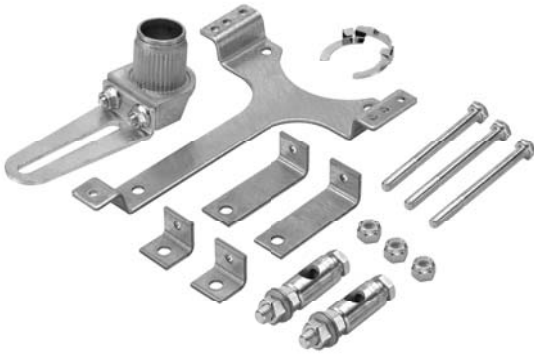


ZG-AFB Crank Arm Adaptor Kit

For AFB, AFX, NFB and NFX Series Actuators



ZG-AFB



Application

The ZG-AFB Crank Arm Adaptor Kit is designed for applications where the actuator cannot be mounted directly to the damper shaft.

The ZG-AFB Crank Arm Adaptor Kit includes:

- 1 KH-AFB Crank Arm with Retaining Clip
- 1 "T" Bracket
- 4 Mounting Feet
- 3 Bolts with Nuts
- 2 KG10A Ball Joints

The following Universal Mounting Brackets are needed to fully convert to crank arm operation:

- ZG-100**
- ZG-101**

The ZG-100 and ZG-101 Universal Mounting Brackets are designed for applications where the actuator cannot be mounted directly to the shaft, and no proper mounting surface is available. It may be used for outside or inside the duct mounting, fastened to the ductwork or directly to the damper assembly. It may also be used to mount to other surfaces rather than the duct.

The ZG-100 and ZG-101 are provided with pre-punched hole patterns for the AM, SM, GM, AF, AFB(X) and NFB(X) series actuators. The ZG-100 hole pattern layout allows mounting these actuators in three different, mounting orientations. The ZG-101 hole pattern layout allows mounting these actuators in two different, mounting orientations. The ZG-100 and ZG-101 may also be field drilled for special or more exact mounting of linkage components.

For technical data and dimensions on ZG-100 and ZG-101 Universal Mounting Brackets, see page 405.

OTHER CRANK ARM ADAPTOR KITS AND UNIVERSAL MOUNTING BRACKETS

KIT	MOUNTING BRACKET*	ACTUATOR USED WITH
ZG-AFB	NA	AFB, AFX, NFB, NFX
ZG-AFB118	ZG-118	AFB, AFX, NFB, NFX
ZG-AF108	ZG-108 (Included)	AF
ZG-AF US	ZG-100, ZG-101	AF
ZG-LF112	ZG-112 (Included)	LF
ZG-LF2	NA	LF
ZG-LFC114	NA	LF
ZG-ECON1	ZG-112 (Included)	LF
ZG-ECON2	ZG-112 (Included)	LF
ZG-TF112	ZG-113 (Included)	TF
ZG-TF2	NA	TF
ZG-GMA	ZG-101, ZG-101, ZG-103, ZG-104	GM
ZG-NMA	ZG-101, ZG-101, ZG-103, ZG-104	NM, AM
NA	ZG-106	AF
NA	ZG-107	AF

*Unless otherwise noted, mounting brackets are not included in crank arm adaptor kits.