

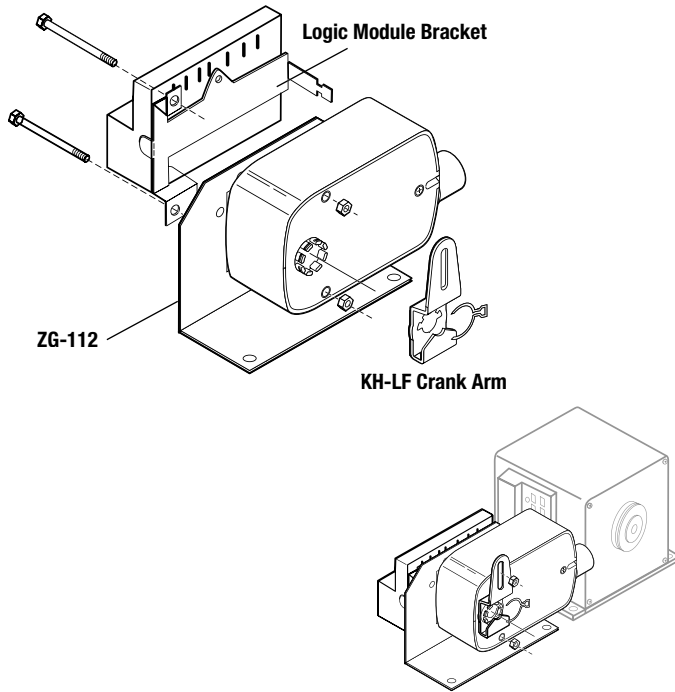
ZG-ECON1 and ECON2 Crank Arm Adaptor Kits

For LF and Series Actuators



ZG-ECON1 Crank Arm Adaptor Kit

For LF Series Actuators



Application

The ZG-ECON1 Crank Arm Adaptor Kit is designed for applications where the actuator cannot be mounted directly to the damper shaft. It may be used for outside or inside the duct mounting.

The ZG-ECON1 Crank Arm Adaptor Kit includes:

- 1 ZG-112 Mounting Bracket
- 1 Logic Module Mounting Bracket (20477-00001)
- 1 KH-LF Crank Arm with Retaining Ring
- 1 KG6 Ball Joint
- 4 Male Spades
- 2 Bolts with Nuts

NOTE: May require crank arm and ball joints

The ZG-112 is provided with hole patterns to mount the LF series actuators in either a horizontal or vertical position to meet space requirements.

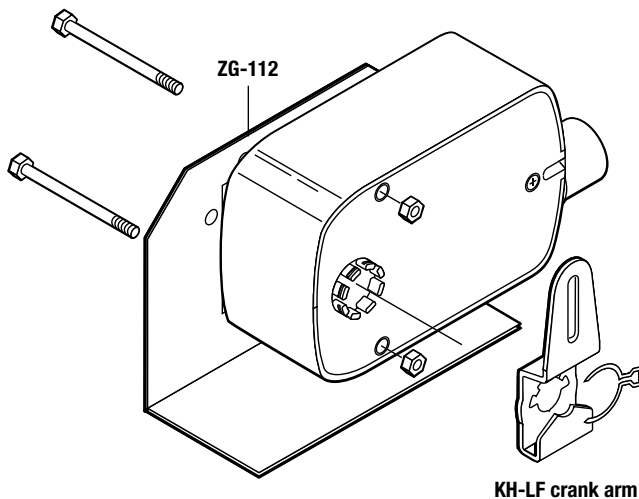
The ZG-112 Mounting Bracket is designed to mount the TF and LF series actuator in the same mounting locations as common foot mounted, crank arm style actuators. Hole patterns in the base match common Honeywell™, Siebe™ (Barber Coleman™), and Johnson Controls™ actuators for easy retrofit.

USE WHEN REPLACING THESE ACTUATORS

Honeywell	M84...	M7...
-----------	--------	-------

ZG-ECON2 Crank Arm Adaptor Kit

For LF Series Actuators



Application

The ZG-ECON2 Crank Arm Adaptor Kit is designed for applications where the actuator cannot be mounted directly to the damper shaft. It may be used for outside or inside the duct mounting.

The ZG-ECON2 Crank Arm Adaptor Kit includes:

- 1 ZG-112 Mounting Bracket
- 1 KH-LF Crank Arm with Retaining Ring
- 1 KG6 Ball Joint
- 4 Female Spades
- 2 Bolts with Nuts

NOTE: May require crank arm and ball joints

The ZG-112 is provided with hole patterns to mount the LF series actuators in either a horizontal or vertical position to meet space requirements.

The ZG-112 Mounting Bracket is designed to mount the TF and LF series actuator in the same mounting locations as common foot mounted, crank arm style actuators. Hole patterns in the base match common Honeywell™, Siebe™ (Barber Coleman™), and Johnson Controls™ actuators for easy retrofit.

USE WHEN REPLACING THESE ACTUATORS

Honeywell	M84...	M7...
-----------	--------	-------

M40024 - 05/10 - Subject to change. © Belimo Aircontrols (USA), Inc.