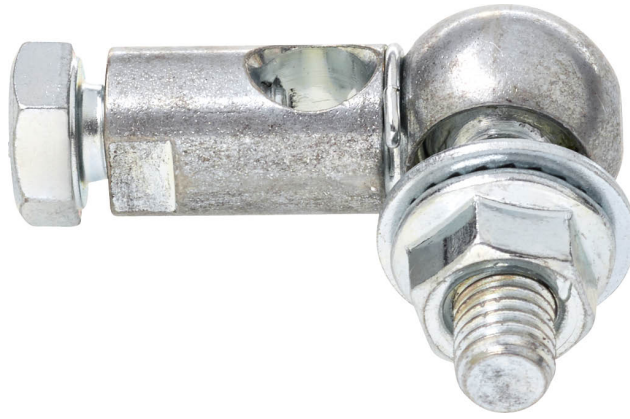


Ball joint

- suitable for damper crank arm KH8

**Technical data**

Weight	Weight	0.14 lb [0.063 kg]
	Packaging quantity	Multipack 10 pcs.

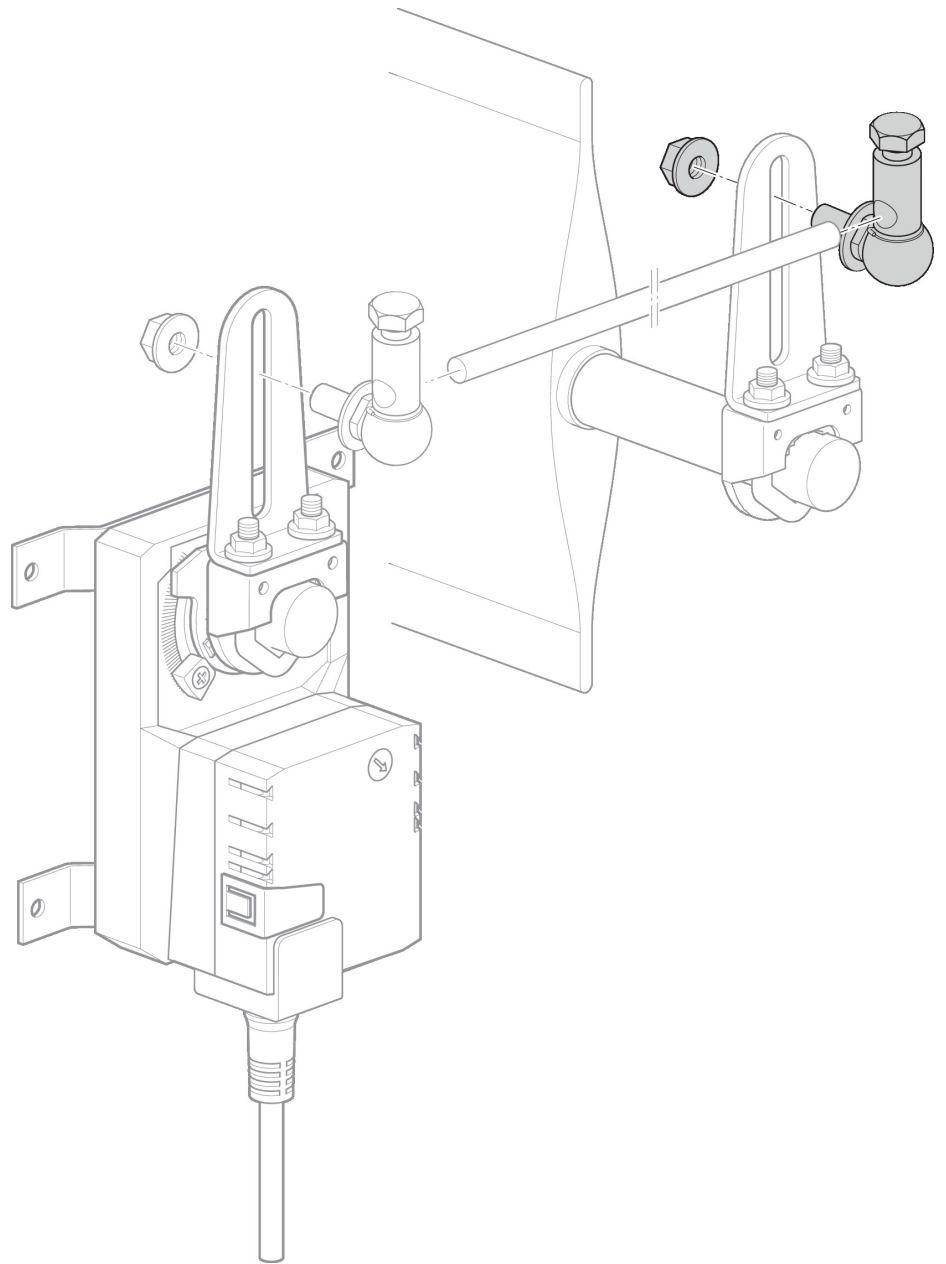
Safety notes

- This accessory has been designed for use in stationary heating, ventilation and air-conditioning systems and must not be used outside the specified field of application, especially in aircraft or in any other airborne means of transport.
- Only authorized specialists may carry out installation. All applicable legal or institutional installation regulations must be complied during installation.
- The accessory may not be disposed of as household refuse. All locally valid regulations and requirements must be observed.

Product features

Used materials Galvanized steel

Application Suitable for LF.., LMQ..A, NF..A, NKQ..A, NM..A, NMC..A, NMQ..A, SF..A, SM..A, SMC..A, SMD..A, TF..



Dimensions

