



5-year warranty



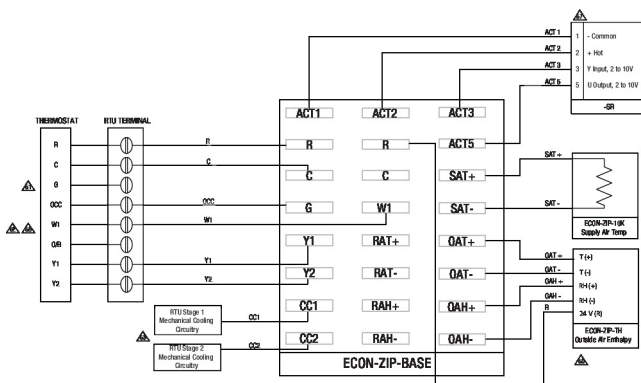
Technical data

Electrical data	Nominal voltage	AC 24 V
	Nominal voltage frequency	50/60 Hz
Functional data	Output Signal humidity	0-10 VDC
	Output Signal temperature	NTC 10kOhm
	Connectors	1/4" male spade connectors
Safety data	Pollution degree	3
	Ambient humidity	Max. 95% RH, non-condensing
	Ambient temperature	-40...160°F [-40...70°C]
	Storage temperature	-40...176°F [-40...80°C]
	Servicing	maintenance-free
Weight	Weight	1.3 lb [0.61 kg]
Materials	Housing material	UL94-5VA

Product features

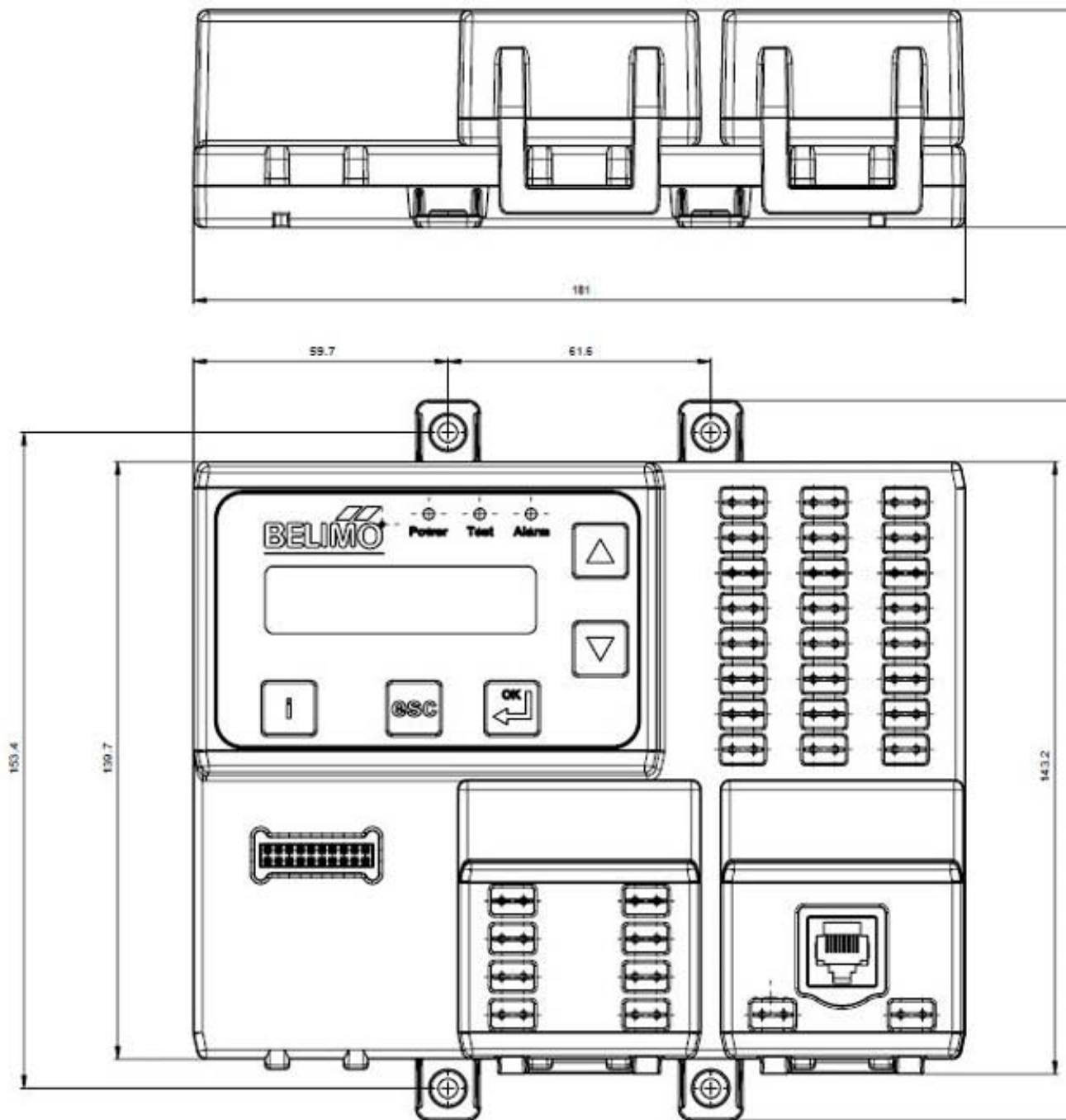
Application The ZIP Economizer™ is a modular designed, plug and play economizer control solution. The ZIP offers an extended temperature transfective LCD display, with on board help, providing information every step of the way. Through its patented ZIP code set up, the system will automatically recognize your climate zone and will set the high limit change over temperature providing automatic compliance. Integrated onboard test sequence that ensures effortless compliance with California Title 24, and verification of proper operation. Auto-detection of inputted devices and non-proprietary sensors, allows for a quicker, and easier set up. Through its superior fault detection and diagnostics, it troubleshoots faults, initiates alarms, and reconfigures for best operation.

Electrical installation



Single Enthalpy

Dimensions



ZIP Economizer Base with Connected Energy & Communication Modules