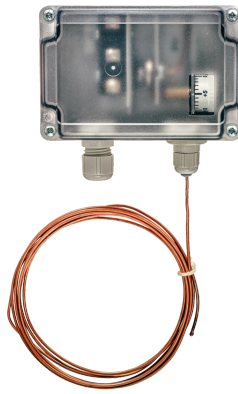


**Low Temperature Detection Sensor**

For monitoring the temperatures of water/air heaters in ventilation and air-conditioning systems to prevent frost damage to the cooling registers. Manual or automatic reset versions and adjustable setpoints. The frost alarm is provided with a single-pole double-throw (SPDT) changeover switch.



5-year warranty

**Type Overview**

Type	Output signal frost protection switch	Additional features	Capillary
01DTS-504	Changeover	Auto reset	10 ft [3 m]
01DTS-504X	Changeover	Manual reset	10 ft [3 m]
01DTS-505	Changeover	Auto reset	20 ft [6 m]
01DTS-505X	Changeover	Manual reset	20 ft [6 m]

**Technical data**

<b>Electrical Data</b>	Cable entry	Cable gland with strain relief M16x1.5 mm, for cable $\varnothing$ 4...10 mm
<b>Functional Data</b>	Application	Air
	Output signal frost protection switch note	1x SPDT (4 A @ AC/DC 24 V)
<b>Measuring Data</b>	Measured values	Temperature Frost
	Specification temperature active	Setpoint range
Accuracy temperature		$\pm 0.9^\circ\text{F}$ [ $\pm 0.5^\circ\text{C}$ ]
<b>Safety Data</b>	Protection class IEC/EN	III, Protective Extra-Low Voltage (PELV)
	Degree of protection IEC/EN	IP65
	Degree of protection NEMA/UL	NEMA 4
	EU Conformity	CE Marking
	Certification IEC/EN	IEC/EN 60730-1
	Quality Standard	ISO 9001
	Ambient humidity	Max. 95% RH, non-condensing
	Ambient temperature	-30...160°F [-35...70°C] The ambient temperature must exceed the switching point by +2 K.
	Fluid temperature	-30...160°F [-35...70°C]
<b>Materials</b>	Housing	Bottom: PA, grey Seal: NBR70, black cover ABS, transparent
	Cable gland	Bottom: PA, grey
	Probe material	Copper/vapor filled R507

**Safety Notes**



This device has been designed for use in stationary heating, ventilation and air-conditioning systems and must not be used outside the specified field of application. Unauthorized modifications are prohibited. The product must not be used in relation with any equipment that in case of a failure may threaten humans, animals or assets.

Ensure all power is disconnected before installing. Do not connect to live/operating equipment.

Only authorized specialists may carry out installation. All applicable legal or institutional installation regulations must be complied with during installation.

The device contains electrical and electronic components and must not be disposed of as household refuse. All locally valid regulations and requirements must be observed.



During installation, testing, servicing and troubleshooting of this product, it may be necessary to work with live electrical components. Have a qualified licensed electrician or other individual who has been properly trained in handling live electrical components perform these tasks. Failure to follow all electrical safety precautions when exposed to live electrical components could result in death or serious injury.

**Remarks**

**General Remarks Concerning Sensors**

Ensure the housing is not installed in outdoor air. Exposure to cold outdoor temperatures may cause the sensor to trip unnecessarily. Proper installation should avoid mounting in locations where the sensing capillary or housing is exposed to outdoor air.

**Parts included**

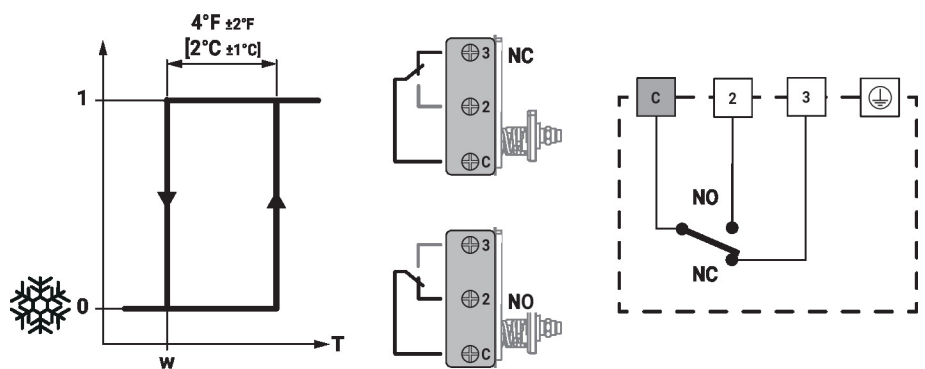
Description	Type
Mounting kit, with 6 mounting brackets	A-22D-A08

**Accessories**

**Mechanical accessories**

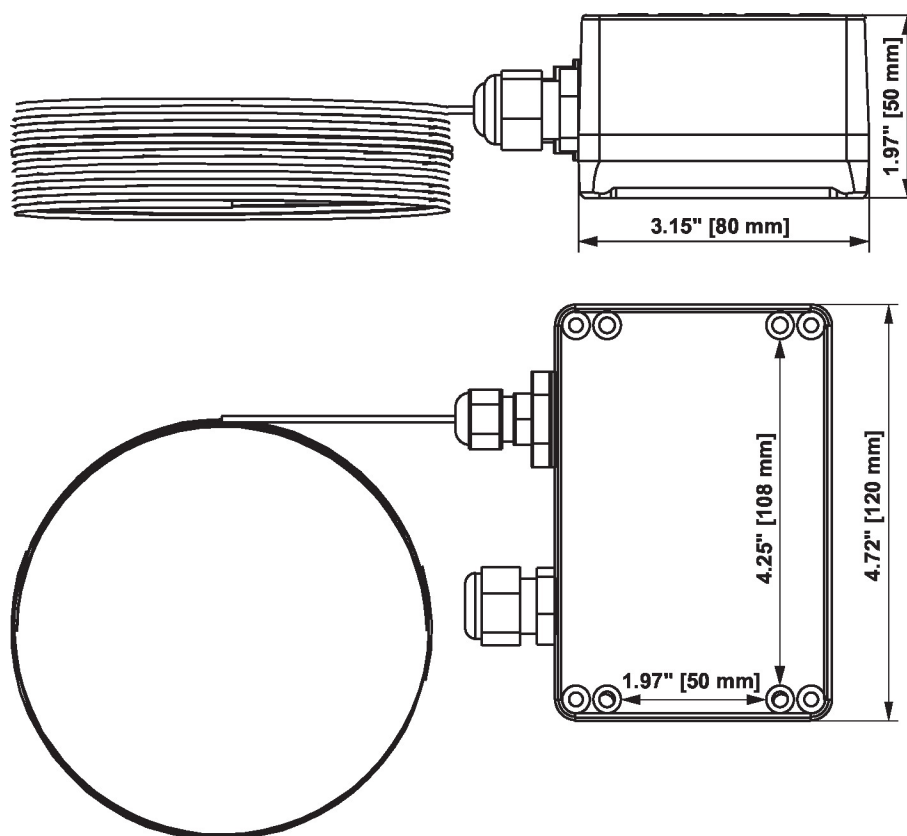
Description	Type
Cable conduit connector,	EXT-TTS-M1612

**Wiring Diagram**



set point range (factory setting 41°F [5°C])  
 If the capillary leaks, the switch changes to the frost position.

## Dimensions



Type	Weight
01DTS-504	0.89 lb [0.41 kg]
01DTS-504X	0.89 lb [0.41 kg]
01DTS-505	1.01 lb [0.46 kg]
01DTS-505X	1.01 lb [0.46 kg]

## Further documentation

- Installation instructions