

Contact temperature sensor

Surface contact temperature sensor for pipe applications. Spring loaded brass contact pin to ensure fast response and accurate reading.



5-year warranty


Type Overview

Type	Output signal passive temperature
01HT-5A	Pt100
01HT-5B	Pt1000
01HT-5E	Ni1000 (JCI)
01HT-5L	NTC10k (10k2)
01HT-5M	NTC10k3 (Precon)
01HT-5Q	NTC20k

Technical data

Electrical Data	Electrical connection	Pluggable spring-loaded terminal block max. 2.5 mm ²
	Cable entry	Cable gland with strain relief ø6...8 mm (1/2" NPT conduit adapter included)
Functional Data	Application	water
	Output signal passive temperature	Pt100 Pt1000 Ni1000 (JCI) NTC10k (10k2) NTC10k3 (Precon) NTC20k
Measuring Data	Measured values	Temperature
Specification Temperature	Measuring range	-30...195°F [-35...90°C]
	Measuring current	Pt100: <1 mA @ 32°F [0°C] Pt1000: <0.3 mA @ 32°F [0°C] Ni1000 (JCI): <5 mA @ 21°C [70°F] NTC10k2: <2 mA @ 77°F [25°C] NTC10k3: <2.7 mA @ 77°F [25°C] NTC20k: <0.5 mA @ 77°F [25°C]
	Accuracy temperature passive	Passive sensors depending on used type Pt.. : ±0.5°F @ 32°F [±0.3°C @ 0°C] Ni.. : ±0.7°F @ 32°F [±0.4°C @ 0°C] NTC.. : ±0.35°F @ 77°F [±0.2°C @ 25°C]
	Time constant τ (63%) on water pipe	With thermal contact fluid Typical 16 s
Safety Data	Protection class IEC/EN	III, Protective Extra-Low Voltage (PELV)
	Power source UL	Class 2 Supply

Technical data

Safety Data	Degree of protection IEC/EN	IP54
	Degree of protection NEMA/UL	NEMA 1
	Enclosure	UL Enclosure Type 1
	EU Conformity	CE Marking
	Certification IEC/EN	IEC/EN 60730-1
	Quality Standard	ISO 9001
	UL 2043 Compliant	Suitable for use in air plenums per Section 300.22(C) of the NEC and Section 602 of the IMC
	Type of action	Type 1
	Rated impulse voltage supply	0.8 kV
	Method of mounting control	Surface mounted
	Pollution degree	2
	Ambient humidity	Max. 95% RH, non-condensing
	Ambient temperature	-35...50°C [-30...122°F]
	Fluid temperature	-30...195°F [-35...90°C]
	Housing surface temperature	max. 195°F [90°C]
Materials	Cable gland	PA6, black
	Housing	Cover: PC, orange Bottom: PC, orange Seal: NBR70, black UV resistant UL94 5VA

Safety Notes



This device has been designed for use in stationary heating, ventilation and air-conditioning systems and must not be used outside the specified field of application. Unauthorized modifications are prohibited. The product must not be used in relation with any equipment that in case of a failure may threaten humans, animals or assets.

Ensure all power is disconnected before installing. Do not connect to live/operating equipment.

Only authorized specialists may carry out installation. All applicable legal or institutional installation regulations must be complied with during installation.

The device contains electrical and electronic components and must not be disposed of as household refuse. All locally valid regulations and requirements must be observed.

Remarks

- General Remarks Concerning Sensors** Due to self-heating with 2 wire passive sensors, the supply wire current affects the measurement accuracy. So the supply current should not be higher than the measuring current values specified in this data sheet.
 When using lengthy connecting cables (depending on the cross section used), the cable resistance must be taken into account. The lower the impedance of the sensor used, the greater the effect of the line resistance on the measurement, because it generates an offset.
- Remark surface measurements** When measuring temperature, humidity or condensation on a surface, both the temperature of the surface and that of the ambient air influence the measurement result. When measuring on a pipe surface, the influence of the ambient air can be minimized by using thermal paste.

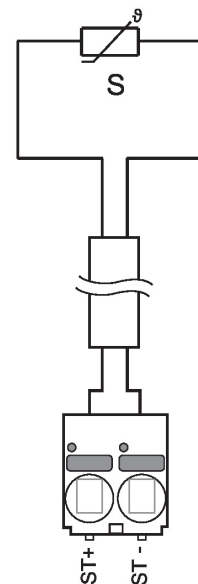
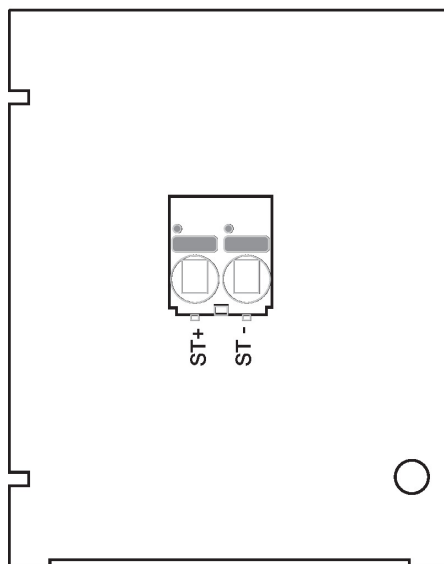
Parts included

- Fixing strap for pipes up to ø110 mm
- 1/2" NPT conduit adapter

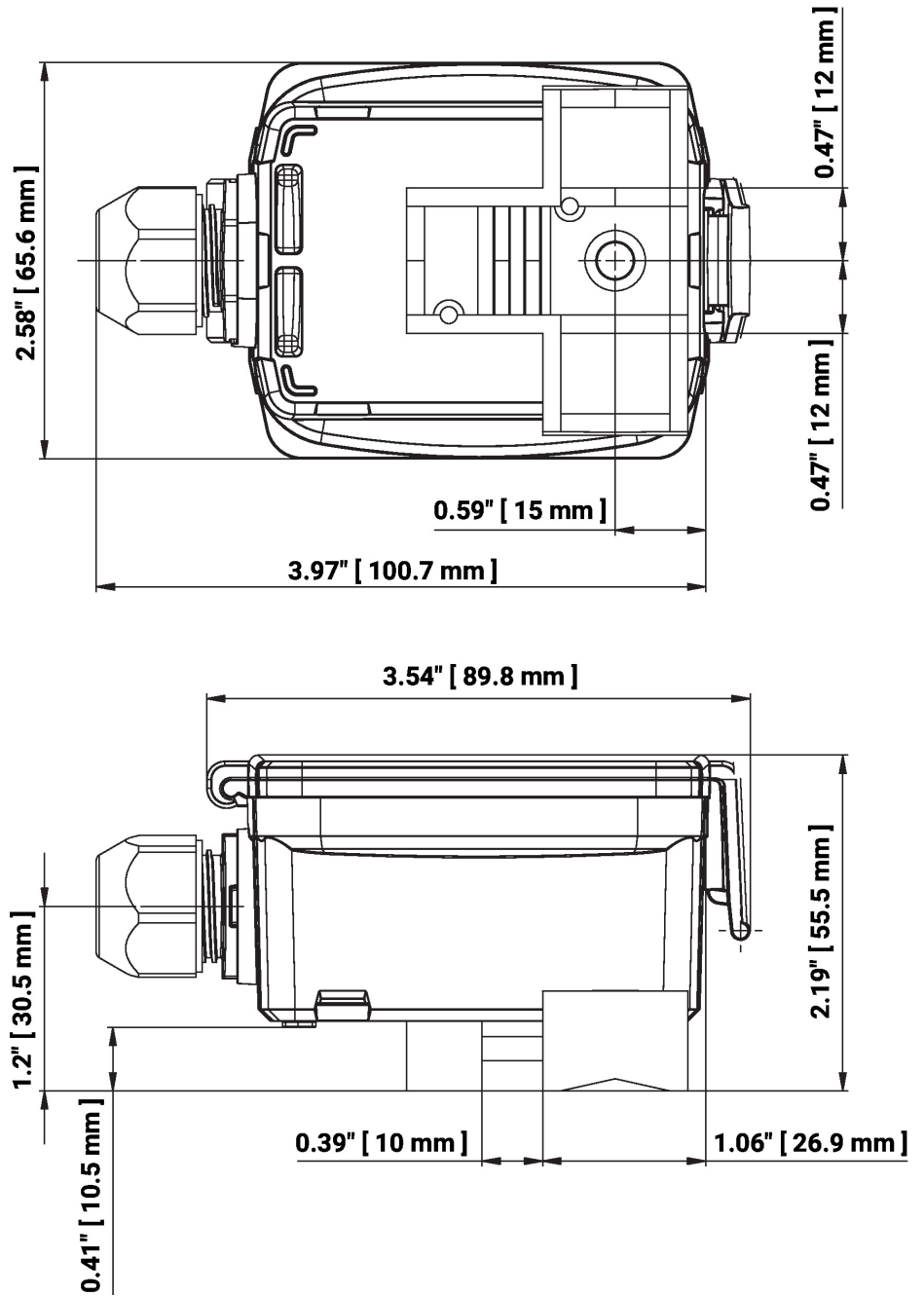
Accessories

Optional accessories	Description	Type
	Fixing strap, with thermal paste for pipes $\varnothing 20 \dots 110$ mm [0.8...4.3"]	A-22P-A40
	Fixing strap, with thermal paste for pipes $\varnothing 20 \dots 250$ mm [0.8...9.8"]	A-22P-A42
	Syringe with thermal paste	A-22P-A44

Wiring Diagram



Dimensions



Type	Weight
01HT-5A	0.33 lb [0.15 kg]
01HT-5B	0.33 lb [0.15 kg]
01HT-5E	0.33 lb [0.15 kg]
01HT-5L	0.33 lb [0.15 kg]
01HT-5M	0.33 lb [0.15 kg]
01HT-5Q	0.33 lb [0.15 kg]

Further documentation

- Installation instructions
- Resistance characteristics