

Differential pressure sensor Air

Differential pressure transducer with 8 selectable ranges and Modbus functionality. For monitoring over-, under or the differential pressure of air and other non-flammable and non-aggressive gases. Typical application in HVAC systems for monitoring air filters, fans V-belts or fire and smoke control dampers. Options available with LCD display. NEMA 4X / IP65 rated enclosure.



5-year warranty


Type Overview

Type	Measuring range [Pa]	Measuring range [inch WC]	Communication	Output signal active pressure	Output signal active volumetric flow	Burst pressure	Display type
22ADP-556	0...7000	0...28	Modbus RTU	0...5 V, 0...10 V	0...5 V, 0...10 V	160 inch WC [40 kPa]	-
22ADP-556L	0...7000	0...28	Modbus RTU	0...5 V, 0...10 V	0...5 V, 0...10 V	160 inch WC [40 kPa]	LCD

Technical data

Electrical Data	Nominal voltage	AC/DC 24 V
	Nominal voltage range	AC 19...29 V / DC 15...35 V
	Power consumption AC	4.3 VA
	Power consumption DC	2.3 W
	Electrical connection	Pluggable spring-loaded terminal block max. 2.5 mm ²
	Cable entry	Cable gland with strain relief 2x ø6 mm (1/2" NPT conduit adapter included)
Data bus communication	Communication	Modbus RTU
	Number of nodes	Modbus see interface description
Functional Data	Application	Air
	Multirange	8 measuring ranges selectable
	Voltage output	2 x 0...5 V, 0...10 V, min. resistance 10 kΩ
	Output signal active note	Output 0...5/10 V selectable with switch
	Display	LCD, 1.14x1.38" [29x35 mm] with backlight Measured values: Pa, inch WC (programmable) Measured values volumetric flow: m ³ /h, cfm (parametrisable)
Typical response time	adjustable 0.8 s or 4.0 s	
Measuring Data	Measured values	Differential pressure Volumetric flow
	Measuring fluid	air and non-aggressive gases

Technical data

Specification flow	Measuring range volumetric flow	Adjustable via Modbus Default setting: 0...750'000 cfm Selectable units: m ³ /h, m ³ /s, cfm		
	<hr/>			
Specification pressure	Sensing element technology	piezo measuring element		
	Measuring range pressure settings	Setting	Range [Pa]	Range [inch WC] Factory setting
		S0	0...7000	0...28 ✓
		S1	0...5000	0...20
		S2	0...4000	0...16
		S3	0...3000	0...12
		S4	0...2500	0...10
		S5	0...2000	0...8
		S6	0...1500	0...6
		S7	0...1000	0...4
	Accuracy	measuring range ≤8 inch WC: ±0.04 inch WC measuring range >8 inch WC: ±0.1 inch WC		
	Long term stability	±2.5% FSO (Full Scale Output) / 4 yr.		
Safety Data	Protection class IEC/EN	III, Safety Extra-Low Voltage (SELV)		
	Power source UL	Class 2 Supply		
	Degree of protection IEC/EN	IP65		
	Degree of protection NEMA/UL	NEMA 4X		
	Enclosure	UL Enclosure Type 4X		
	EU Conformity	CE Marking		
	Certification IEC/EN	IEC/EN 60730-1 and IEC/EN 60730-2-6		
	Quality Standard	ISO 9001		
	UL 2043 Compliant	Suitable for use in air plenums per Section 300.22(C) of the NEC and Section 602 of the IMC		
	Type of action	Type 1		
	Rated impulse voltage supply	0.8 kV		
	Pollution degree	3		
	Ambient humidity	Max. 95% RH, non-condensing		
	Ambient temperature	14...122°F [-10...50°C]		
Fluid temperature	15...120°F [-10...50°C]			
Storage temperature	-4...176°F [-20...80°C]			
Materials	Cable gland	PA6, black		
	Housing	Cover: PC, orange Bottom: PC, orange Seal: NBR70, black UV resistant UL94 5VA		

Safety Notes



This device has been designed for use in stationary heating, ventilation and air-conditioning systems and must not be used outside the specified field of application. Unauthorized modifications are prohibited. The product must not be used in relation with any equipment that in case of a failure may threaten humans, animals or assets.

Ensure all power is disconnected before installing. Do not connect to live/operating equipment.

Only authorized specialists may carry out installation. All applicable legal or institutional installation regulations must be complied with during installation.

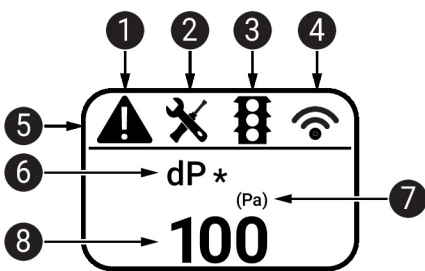
The device contains electrical and electronic components and must not be disposed of as household refuse. All locally valid regulations and requirements must be observed.

Remarks

- Manual zero-point calibration** After initial commissioning
- To carry out the zero-point calibration, the device must be connected to the power supply at least 15 minutes beforehand.
- Calibration interval
- ≤1 inch WC 3 months
 - ≤2 inch WC 6 months
 - >2 inch WC 12 months
- Procedure
- Release both tube connectors from the pressure ports + and -
 - (Carry out the manual zero-point calibration even if the display shows 0.)
 - Press the button "Manual zero-point calibration" until the LED lights up permanently
 - Wait until the LED flashes again and reinstall the tube connectors to the pressure ports (pay attention to + and -)

Indicators and Operation

Indicators Depending on the device and the number of measured values, the display automatically scales. Parameters, such as the fading in/out of measured values, brightness and traffic light function, are changed via the app or bus system. During the boot process, the software and hardware versions are displayed.



- 1 Fault / sensor failure
- 2 Service / visual inspection due
- 3 TLF (traffic light function) active (thresholds for display color changes)
- 4 Radio active (not available)
- 5 Status bar
- 6 Measured value (* appears when TLF function is activated for this value)
- 7 Unit of measure
- 8 Measured value

Parts included

Description	Type
Mounting plate L housing	A-22D-A10
Duct connector kit, PVC tube 2 m, 2x duct connector (plastic) for 22ADP-..	A-22AP-A08

Parts included

Cable Gland with strain relief $\varnothing 6...8$ mm
 Dowels
 Screws
 1/2" NPT conduit adapter, 2x $\varnothing 6$ mm

Accessories

Optional accessories	Description	Type
	Duct connector, Metal, L 1.5", Tube connection 0.2"	A-22AP-A01
	Duct connector, Metal, L 4", Tube connection 0.2"	A-22AP-A03
Tools	Description	Type
	Belimo Duct Sensor Assistant App	Belimo Duct Sensor Assistant App
	Bluetooth dongle for Belimo Duct Sensor Assistant App	A-22G-A05
	* Bluetooth dongle A-22G-A05	
	Certified and available in North America, European Union, EFTA States and UK.	

Service

Tools connection This sensor can be operated and parametrized using the Belimo Assistant App. When using the Belimo Duct Sensor Assistant App, the Bluetooth dongle is required to enable communication between the app and the Belimo sensor.

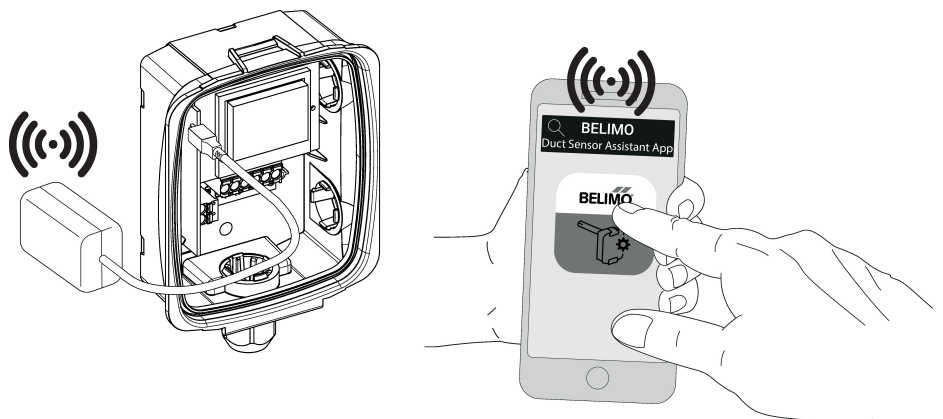
For the standard operation and parametrization of the sensor the Bluetooth dongle and the Belimo Duct Sensor Assistant App are not needed. The sensor will arrive pre-configured with the factory default settings shown above.

Requirement:

- Bluetooth dongle (Belimo Part No: A-22G-A05)
- Bluetooth-capable smartphone
- Belimo Duct Sensor Assistant App (Google Play & Apple App Store)

Procedure:

- Plug the Bluetooth dongle into the sensor via the Micro-USB connector or by means of the interface PCB
- Connect Bluetooth-capable smartphone with Bluetooth dongle
- Select parametrization in the Belimo Assistant App



Wiring Diagram

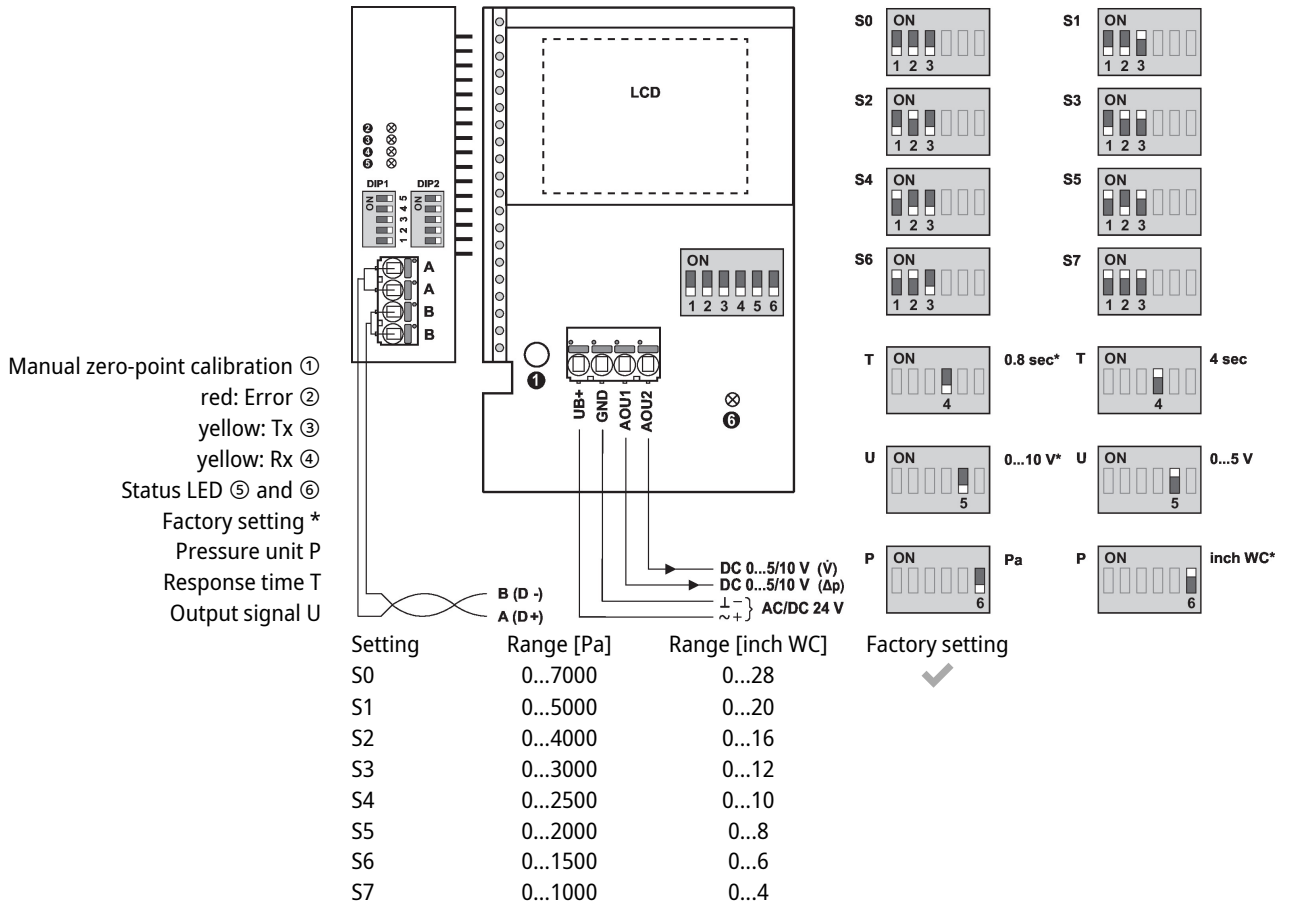


Notes

Supply from isolating transformer.

The wiring of Modbus RTU (RS-485) is to be carried out in accordance with applicable regulations (www.modbus.org). The device has switchable resistors for bus termination.

Modbus-GND: Supply and communication are not galvanically isolated. Connect earth signal of the devices with one another.



Detailed documentation

The separate document Sensor Modbus-Register informs about Modbus register, addressing, parity and bus termination (DIP1: address, DIP2: baud rate, parity, bus termination)

In addition to the information on the bus, the following analog outputs are available:

AOU1: differential pressure

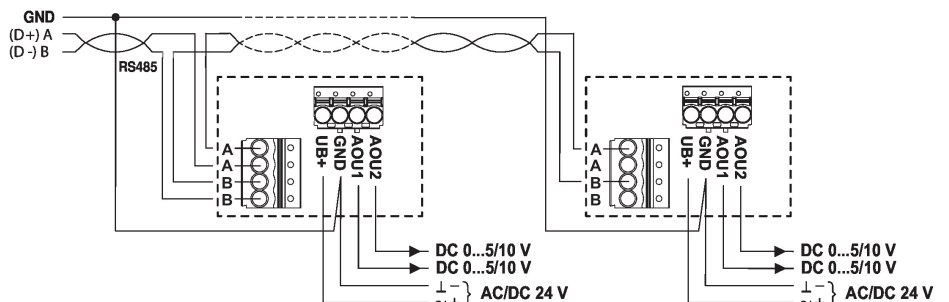
AOU2: volumetric flow

The volumetric flow is calculated from the differential pressure, the k-factor and the height.

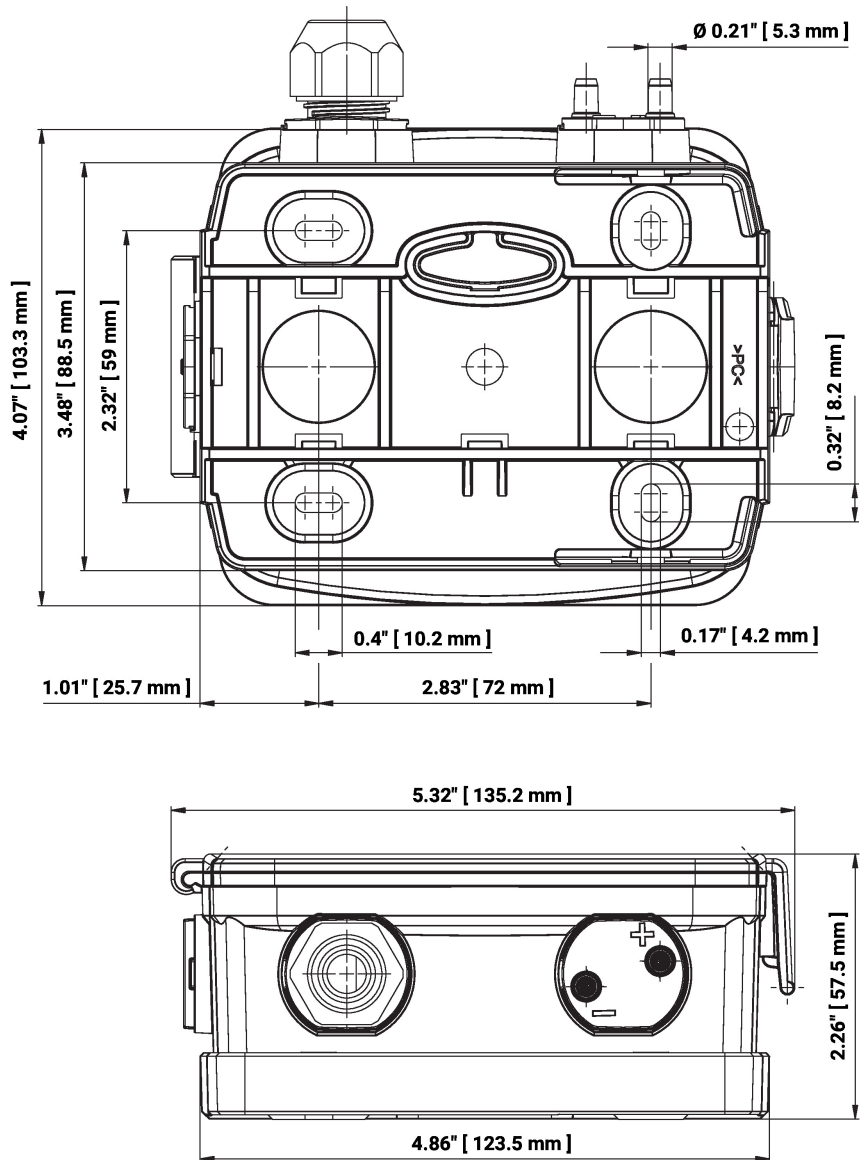
Factory setting for the k-factor is 1.00 and for the height 330 metres above sea level.

The values of the k-factor and the height can be changed via bus system.

Wiring RS485 Modbus RTU



Dimensions



Further documentation

- Modbus Interface description
- Installation instructions