

Leakage switch

For detection of liquid leakage. Designed for alarm, control, and monitoring applications of containers, false floors, suspended ceilings, or rooms to prevent unintended leakage. With changeover relay contact for control and display systems or for series connection with a valve to interrupt the water flow directly. Resetting takes place automatically after drying off the contacts. NEMA 4X / IP65 rated housing.



5-year warranty

Type Overview

Type	Switching contact	Additional features
22HL-50	SPDT	Auto reset

Technical data

Electrical Data	Nominal voltage	AC/DC 24 V
	Nominal voltage range	AC 21.6...26.4 V / DC 13.5...26.4 V
	Power consumption AC	1.5 VA
	Power consumption DC	0.6 W
	Electrical connection	Pluggable spring-loaded terminal block max. 2.5 mm ²
	Cable entry	Cable gland with strain relief ø6...8 mm (1/2" NPT conduit connector included)
Functional Data	Medium	Water-glycol mixture
	Output signal leakage detector relay note	SPDT, dry contact Max. switching current 1 A @ 24 V Min. switching current 3 mA @ 10 V
	Display	LED, Green - Power supply OK Red - leak or liquid present
	Display type	LED
Measuring Data	Measured values	Conductivity
	Switching threshold	≈10 µS
Safety Data	Protection class IEC/EN	III, Protective Extra-Low Voltage (PELV)
	Degree of protection IEC/EN	IP65
	Degree of protection NEMA/UL	NEMA 4
	EU Conformity	CE Marking
	Certification IEC/EN	IEC/EN 60730-1
	Quality Standard	ISO 9001
	Type of action	Type 1.B
	Rated impulse voltage supply	0.8 kV
	Pollution degree	3
	Ambient humidity	Max. 95% RH, non-condensing
	Ambient temperature	-4...158°F [-20...70°C] up to 85°C [185°F] for max. 10 minutes
	Fluid temperature	-4...158°F [-20...70°C]
	Materials	Housing

Technical data

Materials	Cable gland	PA6, black
------------------	-------------	------------

Safety Notes



This device has been designed for use in stationary heating, ventilation and air-conditioning systems and must not be used outside the specified field of application. Unauthorized modifications are prohibited. The product must not be used in relation with any equipment that in case of a failure may threaten humans, animals or assets.

Ensure all power is disconnected before installing. Do not connect to live/operating equipment.

Only authorized specialists may carry out installation. All applicable legal or institutional installation regulations must be complied with during installation.

The device contains electrical and electronic components and must not be disposed of as household refuse. All locally valid regulations and requirements must be observed.

Remarks

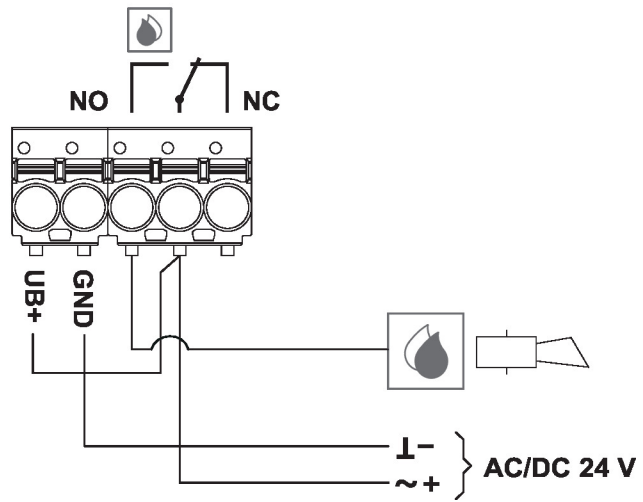
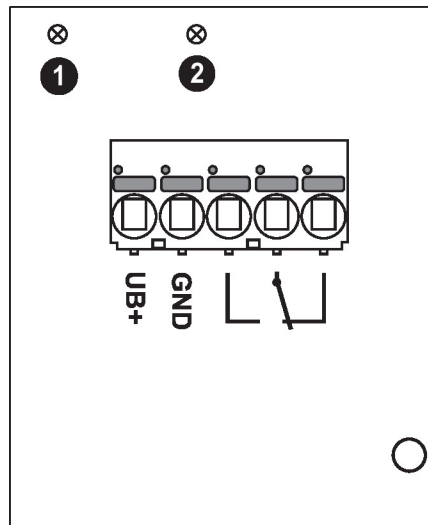
General Remarks Concerning Sensors Sensing devices with a transducer should always be operated in the middle of the measuring range to avoid deviations at the measuring end points. The ambient temperature of transducer electronics should be kept constant. The transducers must be operated at a constant supply voltage (± 0.2 V). When switching the supply voltage on/off, onsite power surges must be avoided.

Remark on surface measurements When measuring temperature, humidity or condensation on a surface, both the temperature of the surface and that of the ambient air influence the measurement result. When measuring on a pipe surface, the influence of the ambient air can be minimized by using thermal contact fluid.

Parts included

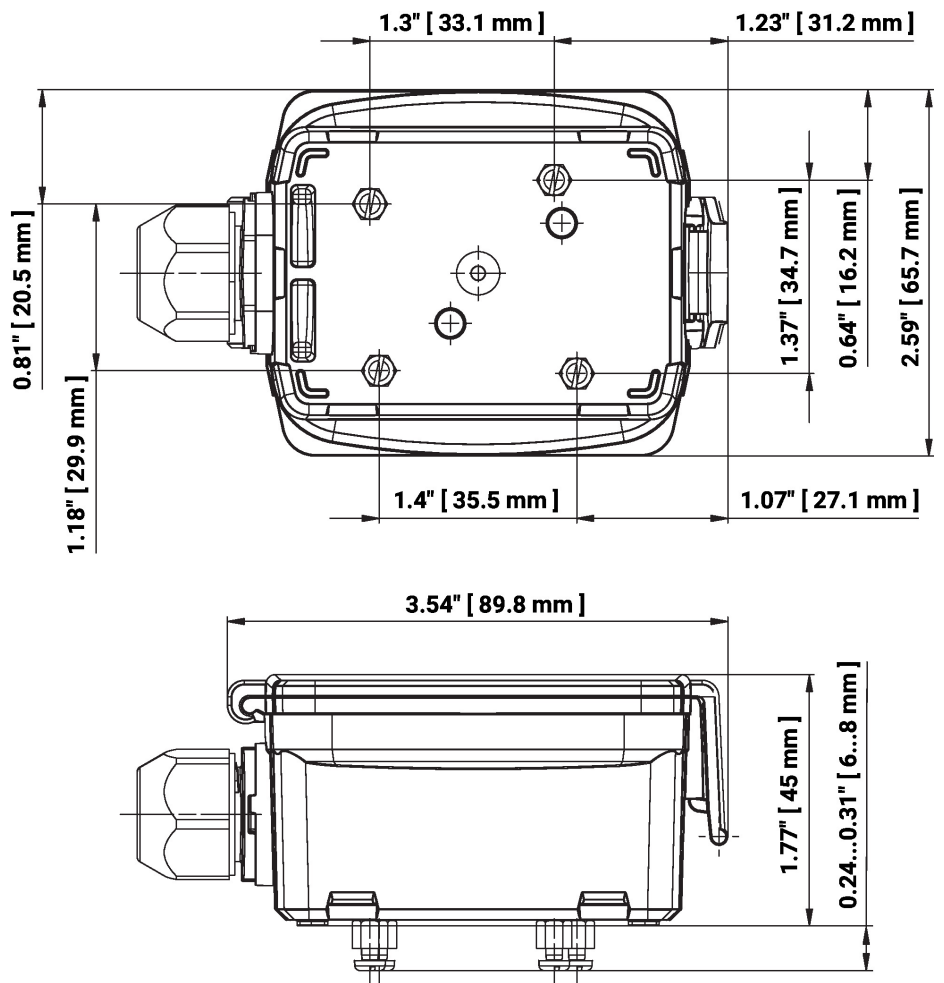
- Cable tie
- Dowels
- Screws

Wiring Diagram



- ① LED green: power supply OK
- ② LED red: leakage

Dimensions



Further documentation

- Installation instructions