

Outdoor sensor with weather shield Humidity / Temperature

For measuring the relative or absolute humidity and temperature in outdoor areas. Instead of the humidity signal, the enthalpy or the dewpoint can be selected as an output signal. NEMA 4X / IP65 rated enclosure.



5-year warranty



Type Overview

Type	Output signal active humidity	Output signal passive temperature
22UTH-530B	4...20 mA	Pt1000
22UTH-530E	4...20 mA	Ni1000 (JCI)
22UTH-530L	4...20 mA	NTC10k (10k2)
22UTH-530M	4...20 mA	NTC10k3 (Precon)
22UTH-530Q	4...20 mA	NTC20k

Technical data

Electrical Data	Nominal voltage	DC 24 V	
	Nominal voltage range	DC 13.5...26.4 V	
	Power consumption DC	1 W	
	Electrical connection	Pluggable spring-loaded terminal block max. 2.5 mm ²	
	Cable entry	Cable gland with strain relief ø6...8 mm (1/2" NPT conduit adapter included)	
Functional Data	Application	Air	
	Current output	1x 4...20 mA, max. resistance 500 Ω	
Measuring Data	Measured values	relative humidity Absolute humidity Dew point Enthalpies Temperature	
	Specification Temperature active	Time constant τ (63%) in the air duct	Typical 396 s
	Specification Temperature passive	Measuring range	-30...120°F [-35...50°C]
	Specification Humidity	Sensing element technology	Polymer-based capacitive sensor with stainless steel wire mesh filter
		Measuring range	0...100% RH non-condensing
Measuring range absolute humidity		adjustable at the transducer: 0...50 g/m ³ (default setting) 0...80 g/m ³	
Measuring range enthalpy		0...85 kJ/kg	
Measuring range dew point		adjustable at the transducer: 40...140°F [0...50°C] (default setting) 0...200°F [-20...80°C]	
	Accuracy	±2% between 0...80% RH @ 77°F [25°C]	
	Long term stability	±0.3% RH p.a. @ 70°F [21°C] @ 50% RH	

Technical data

Specification Humidity	Time constant τ (63%) in the air duct	Typical 16 s @ 0 m/s
Safety Data	Protection class IEC/EN	III, Safety Extra-Low Voltage (SELV)
	Power source UL	Class 2 Supply
	Degree of protection IEC/EN	IP65
	Degree of protection NEMA/UL	NEMA 4X
	Enclosure	UL Enclosure Type 4X
	EU Conformity	CE Marking
	Certification IEC/EN	IEC/EN 60730-1
	Quality Standard	ISO 9001
	UL 2043 Compliant	Suitable for use in air plenums per Section 300.22(C) of the NEC and Section 602 of the IMC
	Type of action	Type 1
	Rated impulse voltage supply	0.8 kV
	Pollution degree	3
	Ambient humidity	short-term condensation permitted
	Ambient temperature	-30...120°F [-35...50°C]
Fluid humidity	short-term condensation permitted	
Fluid temperature	-35...50°C [-30...122°F]	
Materials	Cable gland	PA6, black
	Housing	Cover: PC, orange Bottom: PC, orange Seal: NBR70, black UV resistant UL94 5VA

Safety Notes


This device has been designed for use in stationary heating, ventilation and air-conditioning systems and must not be used outside the specified field of application. Unauthorized modifications are prohibited. The product must not be used in relation with any equipment that in case of a failure may threaten humans, animals or assets.

Ensure all power is disconnected before installing. Do not connect to live/operating equipment.

Only authorized specialists may carry out installation. All applicable legal or institutional installation regulations must be complied with during installation.

The device contains electrical and electronic components and must not be disposed of as household refuse. All locally valid regulations and requirements must be observed.

Remarks

General Remarks Concerning Sensors	<p>When using lengthy connection wires (depending on the cross section used) the measuring result might be falsified due to a voltage drop at the common GND-wire (caused by the voltage current and the line resistance). In this case, 2 GND-wires must be wired to the sensor - one for supply voltage and one for the measuring current.</p> <p>Sensing devices with a transducer should always be operated in the middle of the measuring range to avoid deviations at the measuring end points. The ambient temperature of transducer electronics should be kept constant. The transducers must be operated at a constant supply voltage (± 0.2 V). When switching the supply voltage on/off, onsite power surges must be avoided.</p>
---	---

Remarks

Remark: Occurring draft leads to a better carrying-off of dissipative power at the sensor. Thus temporally limited fluctuations might occur upon temperature measurement.

Build-up of self-heating by electrical dissipative power

Temperature sensors with electronic components always have a dissipative power which affects the temperature measurement of the ambient air. The dissipation in active temperature sensors shows a linear increase with rising operating voltage. The dissipative power should be taken into account when measuring temperature.

In case of a fixed operating voltage (± 0.2 V), this is normally done by adding or reducing a constant offset value. As Belimo transducers work with a variable operating voltage, for reasons of production engineering only one operating voltage can be taken into consideration. Transducers 0...10 V / 4...20 mA have a standard setting at an operating voltage of DC 24 V. This means that at this voltage, the expected measuring error of the output signal will be the least. For other operating voltages, the offset error will be increased by a changing power loss of the sensor electronics.

If a readjustment directly at the active sensor should be necessary during later operation, this can be done with the following adjustment methods.

- For sensors with NFC or dongle with the corresponding Belimo app
- For sensors with a trimming potentiometer on the sensor board
- For bus sensors via bus interface with a corresponding software variable

Application notice for humidity sensors

The humidity sensor is extremely sensitive. Touching the sensor element or exposing it to aggressive substances like chlorine, ozone, ammonia, hydrogen peroxide or ethanol (i.e. as a cleaning agent) may affect the measurement accuracy.

Long term operation outside the recommended conditions (5...60°C and 20...80% RH) can result in a temporary offset. After returning into the recommended range, this effect disappears.

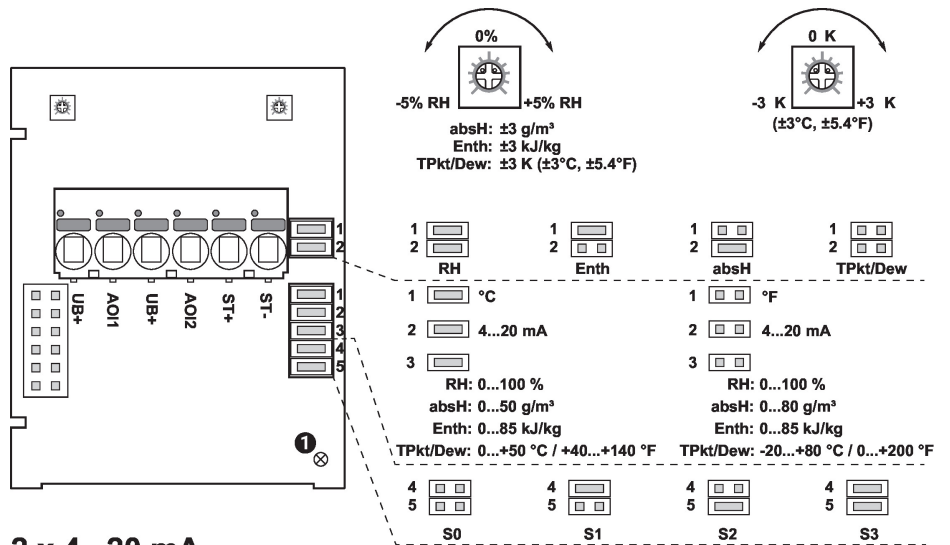
Parts included

Description	Type
Mounting plate L housing	A-22D-A10
Rain cover, for 22UTH-..	A-22U-A01
Dowels	
Screws	
1/2" NPT conduit adapter	

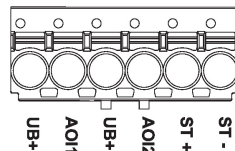
Accessories

Optional accessories	Description	Type
	Replacement filter sensor probe tip, wire mesh, Stainless steel	A-22D-A06

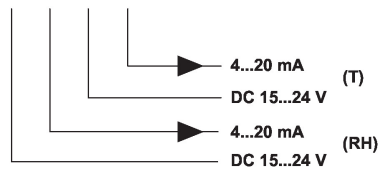
Wiring Diagram



2 x 4...20 mA

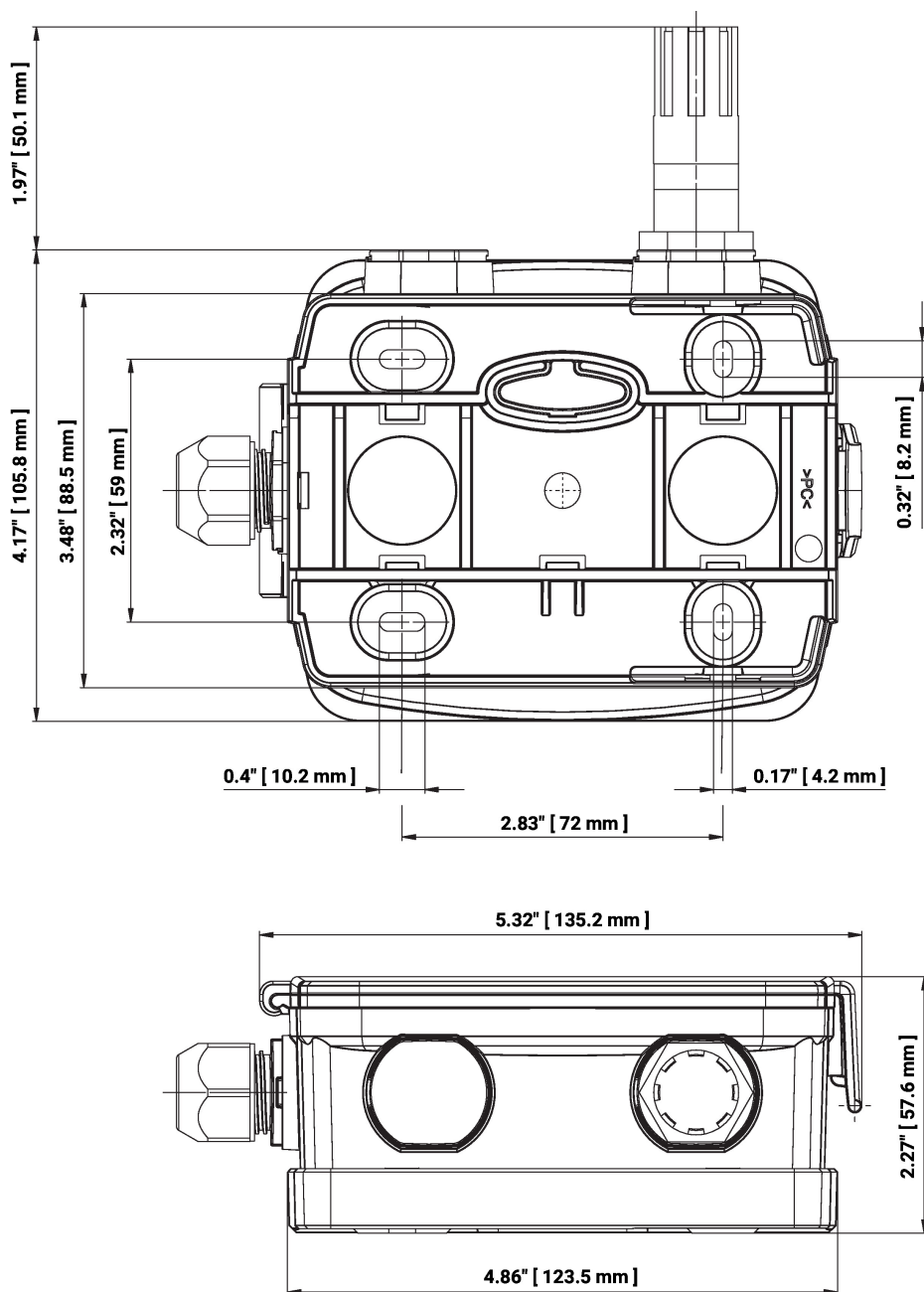


- ① Status LED
- RH Relative humidity
- absH Absolute humidity
- Enth Enthalpy
- TPkt/Dew Dew point
- (Measured value available on output AOI1)



Correct temperature values are only available, when the humidity output AOI1 and both inputs UB + are connected.

Dimensions



Further documentation

- Installation instructions
- Resistance characteristics