

Outdoor sensor with weather and radiated heat shield Humidity / Temperature

Active humidity and temperature sensor for outside applications. The radiation shield protects the outside sensors from rain and radiated heat. With the curved shape and color of the plates airflow is able to move across the sensors to keep radiated temperatures from rooftops and surrounding surfaces from affecting humidity readings. With BACnet MS/TP communication and integrated 0..10 V outputs. NEMA 4X / IP65 rated enclosure.



5-year warranty



### Type Overview

Type	Communication	Output signal active temperature	Output signal active humidity
22UTH-560X	BACnet MS/TP	0...5 V, 0...10 V	0...5 V, 0...10 V

### Technical data

<b>Electrical Data</b>	Nominal voltage	AC/DC 24 V	
	Nominal voltage range	AC 19...29 V / DC 15...35 V	
	Power consumption AC	4.3 VA	
	Power consumption DC	2.3 W	
	Electrical connection	Pluggable spring-loaded terminal block max. 2.5 mm <sup>2</sup>	
	Cable entry	Cable gland with strain relief 2x ø6 mm (1/2" NPT conduit adapter included)	
<b>Data bus communication</b>	Communication	BACnet MS/TP	
<b>Functional Data</b>	Application	Air	
	Voltage output	2 x 0...5 V, 0...10 V, min. resistance 10 kΩ	
	Output signal active note	output 0...5/10 V with jumper adjustable	
<b>Measuring Data</b>	Measured values	relative humidity Absolute humidity Dew point Enthalpies Temperature	
	<b>Specification Temperature active</b>	Sensing element technology	Polymer-based capacitive sensor with stainless steel wire mesh filter
		Measuring range	Adjustable via BACnet -5...175°F [-20...80°C] (default setting) Attention: The maximum measuring range listed does not indicate the allowable fluid temperature for the sensor. Refer to safety data for the maximum fluid temperature limits.
		Accuracy temperature	±0.3°C @ 25°C [±0.5°F @ 77°F]
		Long-term stability	±0.09°F p.a. @ 70°F [±0.05°C p.a. @ 21°C]
	Time constant τ (63%) in the room	Typical 351 s @ 0 m/s	

**Technical data**

<b>Specification Humidity</b>	Sensing element technology	Polymer-based capacitive sensor with stainless steel wire mesh filter
	Measuring range	adjustable via BACnet Default setting: 0...100% RH
	Measuring range absolute humidity	adjustable via BACnet default setting: 0...80 g/m <sup>3</sup>
	Measuring range enthalpy	adjustable via BACnet default setting: 0...85 kJ/kg
	Measuring range dew point	adjustable via BACnet default setting: -5...175°F [-20...80°C]
	Accuracy	±2% between 0...80% RH @ 77°F [25°C]
	Long term stability	±0.3% RH p.a. @ 70°F [21°C] @ 50% RH
	Time constant τ (63%) in the room	Typical 16 s @ 0 m/s
	<b>Safety Data</b>	Protection class IEC/EN
Power source UL		Class 2 Supply
Degree of protection IEC/EN		IP65
Degree of protection NEMA/UL		NEMA 4X
Enclosure		UL Enclosure Type 4X
EU Conformity		CE Marking
Certification IEC/EN		IEC/EN 60730-1
Quality Standard		ISO 9001
UL 2043 Compliant		Suitable for use in air plenums per Section 300.22(C) of the NEC and Section 602 of the IMC
Type of action		Type 1
Rated impulse voltage supply		0.8 kV
Pollution degree		3
Ambient humidity		short-term condensation permitted
Ambient temperature		-30...120°F [-35...50°C]
Fluid humidity		short-term condensation permitted
Fluid temperature		-35...50°C [-30...122°F]
Operating condition airflow	max. 40 ft/s [12 m/s]	
<b>Materials</b>	Housing	Cover: PC, orange Bottom: PC, orange Seal: NBR70, black UV resistant UL94 5VA
	Cable gland	PA6, black

**Safety Notes**


This device has been designed for use in stationary heating, ventilation and air-conditioning systems and must not be used outside the specified field of application. Unauthorized modifications are prohibited. The product must not be used in relation with any equipment that in case of a failure may threaten humans, animals or assets.

Ensure all power is disconnected before installing. Do not connect to live/operating equipment.

Only authorized specialists may carry out installation. All applicable legal or institutional installation regulations must be complied with during installation.

The device contains electrical and electronic components and must not be disposed of as household refuse. All locally valid regulations and requirements must be observed.

Remarks

**General Remarks Concerning Sensors** When using lengthy connection wires (depending on the cross section used) the measuring result might be falsified due to a voltage drop at the common GND-wire (caused by the voltage current and the line resistance). In this case, 2 GND-wires must be wired to the sensor - one for supply voltage and one for the measuring current.

Sensing devices with a transducer should always be operated in the middle of the measuring range to avoid deviations at the measuring end points. The ambient temperature of transducer electronics should be kept constant. The transducers must be operated at a constant supply voltage ( $\pm 0.2$  V). When switching the supply voltage on/off, onsite power surges must be avoided.

**Remark: Occurring draft leads to a better carrying-off of dissipative power at the sensor. Thus temporally limited fluctuations might occur upon temperature measurement.**

**Build-up of self-heating by electrical dissipative power** Temperature sensors with electronic components always have a dissipative power which affects the temperature measurement of the ambient air. The dissipation in active temperature sensors shows a linear increase with rising operating voltage. The dissipative power should be taken into account when measuring temperature.

In case of a fixed operating voltage ( $\pm 0.2$  V), this is normally done by adding or reducing a constant offset value. As Belimo transducers work with a variable operating voltage, for reasons of production engineering only one operating voltage can be taken into consideration. Transducers 0...10 V / 4...20 mA have a standard setting at an operating voltage of DC 24 V. This means that at this voltage, the expected measuring error of the output signal will be the least. For other operating voltages, the offset error will be increased by a changing power loss of the sensor electronics.

If a readjustment directly at the active sensor should be necessary during later operation, this can be done with the following adjustment methods.

- For sensors with NFC or dongle with the corresponding Belimo app
- For sensors with a trimming potentiometer on the sensor board
- For bus sensors via bus interface with a corresponding software variable

**Application notice for humidity sensors** The humidity sensor is extremely sensitive. Touching the sensor element or exposing it to aggressive substances like chlorine, ozone, ammonia, hydrogen peroxide or ethanol (i.e. as a cleaning agent) may affect the measurement accuracy.

Long term operation outside the recommended conditions (5...60°C and 20...80% RH) can result in a temporary offset. After returning into the recommended range, this effect disappears.

Parts included

- Dowels
- Screws
- Cable Gland with strain relief  $\varnothing 6...8$  mm
- 1/2" NPT conduit adapter

Accessories

Optional accessories	Description	Type
	Replacement filter sensor probe tip, wire mesh, Stainless steel	A-22D-A06
Tools	Description	Type
	Belimo Duct Sensor Assistant App	Belimo Duct Sensor Assistant App
	Bluetooth dongle for Belimo Duct Sensor Assistant App	A-22G-A05
	* Bluetooth dongle A-22G-A05	
	Certified and available in North America, European Union, EFTA States and UK.	

Service

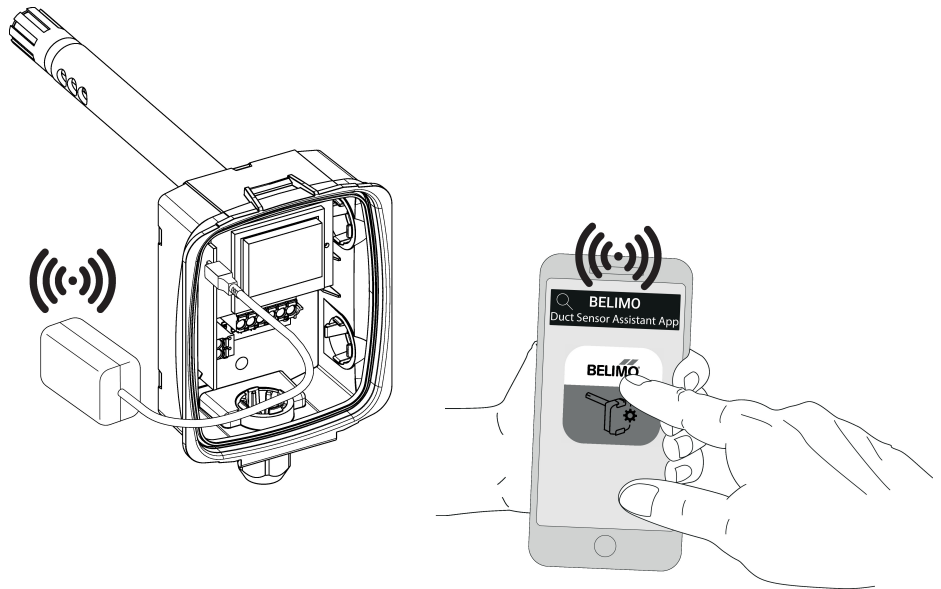
**Tools connection** This sensor can be operated and parametrized using the Belimo Assistant App. When using the Belimo Duct Sensor Assistant App, the Bluetooth dongle is required to enable communication between the app and the Belimo sensor. For the standard operation and parametrization of the sensor the Bluetooth dongle and the Belimo Duct Sensor Assistant App are not needed. The sensor will arrive pre-configured with the factory default settings shown above.

Requirement:

- Bluetooth dongle (Belimo Part No: A-22G-A05)
- Bluetooth-capable smartphone
- Belimo Duct Sensor Assistant App (Google Play & Apple App Store)

Procedure:

- Plug the Bluetooth dongle into the sensor via the Micro-USB connector or by means of the interface PCB
- Connect Bluetooth-capable smartphone with Bluetooth dongle
- Select parametrization in the Belimo Assistant App



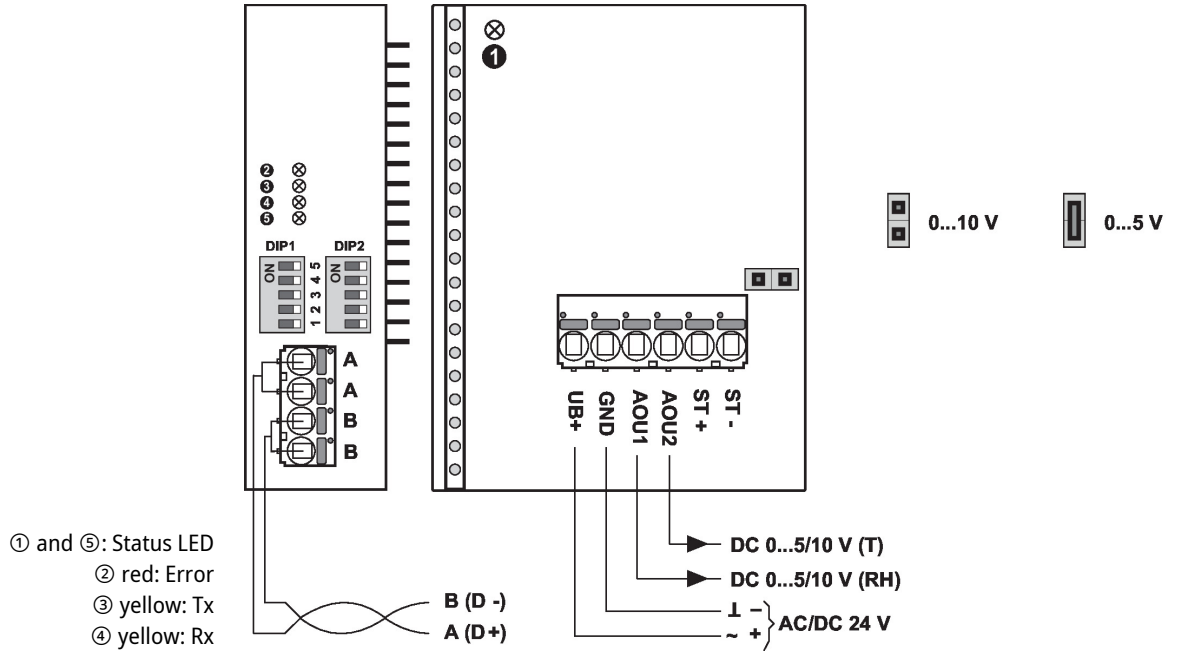
Wiring Diagram



Notes

Supply from isolating transformer.  
 The wiring of the line for BACnet (MS/TP) has to be carried out in accordance with applicable RS485 regulations.  
 Modbus / BACnet: Supply and communication are not galvanically isolated. Connect earth signal of the devices with one another.

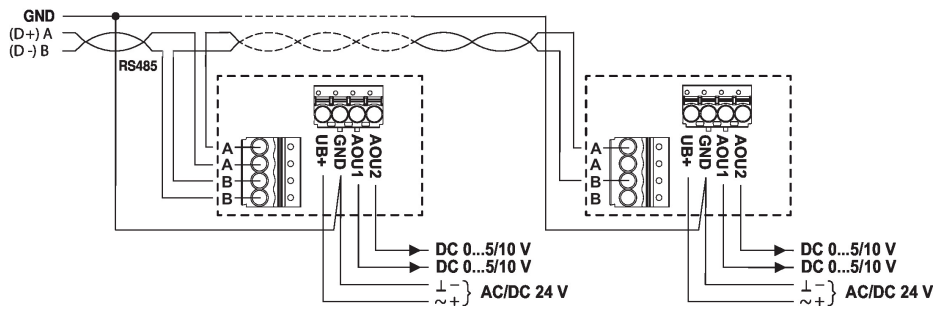
Wiring Diagram



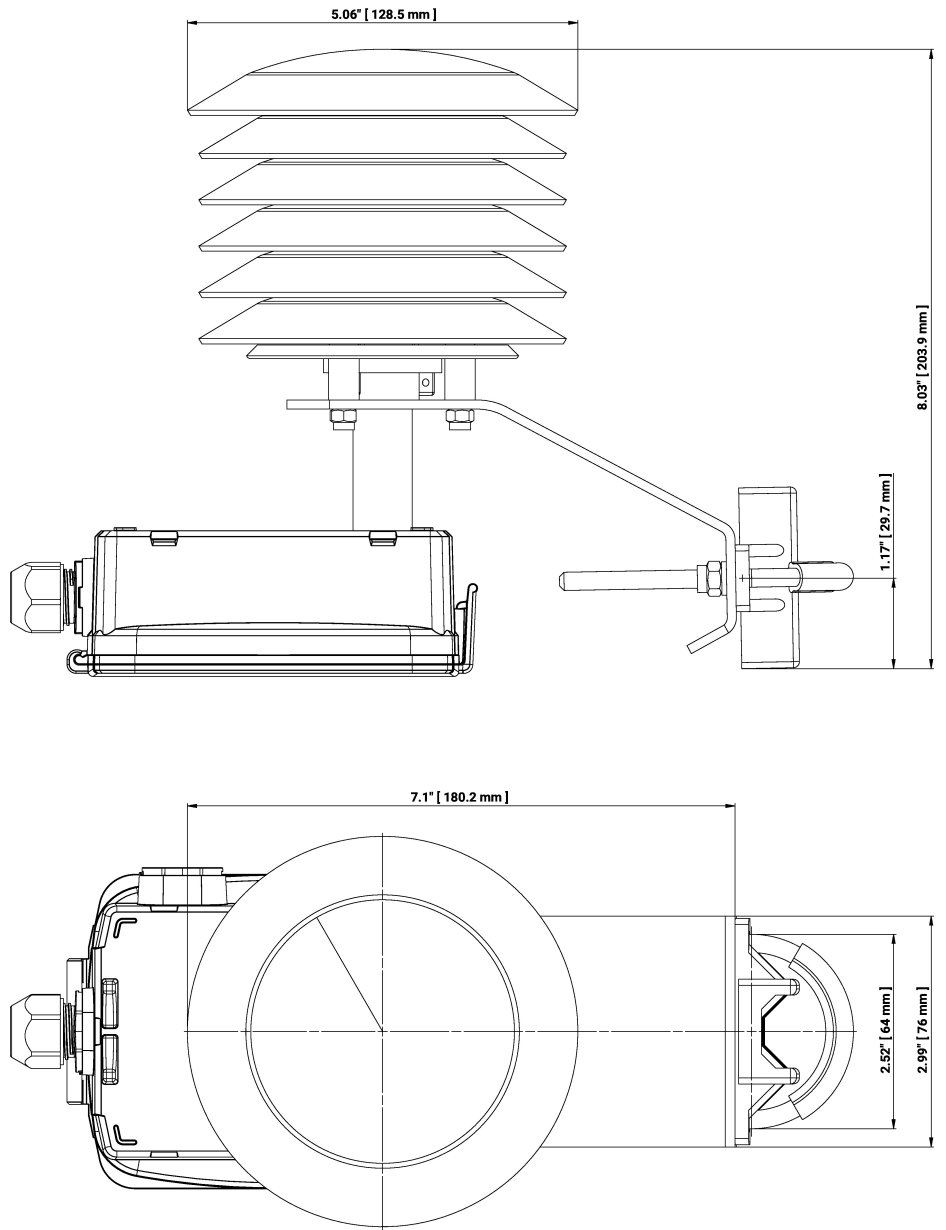
Detailed documentation

The separate document, BACnet PICS, informs about the PICS, MAC addressing and bus termination (DIP1 & DIP2).

Wiring RS485 BACnet MS/TP



Dimensions



Further documentation

- BACnet Interface description
- Installation instructions