

Butterfly Valve with Lug types

- Disc 304 stainless steel
- Bubble tight shut-off
- Resilient seat
- Valve face-to-face dimensions comply with API 609 & MSS-SP-67
- Completely assembled and tested, ready for installation



5-year warranty

Type overview

Type	DN
F680HD	80

Technical data

Functional data	Valve size [mm]	3" [80]
	Fluid	chilled or hot water, up to 60% glycol
	Fluid Temp Range (water)	-22...250°F [-30...120°C]
	Body Pressure Rating	ANSI Class Consistent with 125, 232 psi CWP
	Close-off pressure Δ ps	200 psi
	Flow characteristic	modified equal percentage
	Leakage rate	0% leakage, leakage rate A
	Servicing	maintenance-free
	Flow Pattern	2-way
	Controllable flow range	90° rotation
	Cv	302
	Maximum Velocity	12 FPS
	Lug threads	5/8-11 UNC
Materials	Valve body	Ductile cast iron ASTM A536
	Body finish	epoxy powder coating (blue RAL 5002)
	Stem	416 stainless steel
	Stem seal	EPDM (lubricated)
	Seat	EPDM
	Pipe connection	for use with ANSI class 125/150 flanges
	Bearing	RPTFE
	Disc	304 stainless steel
Gear operator materials	Gears - hardened steel	
Suitable actuators	Non-Spring	GRB(X)
	Spring	(2*AFB(X))
	Electrical fail-safe	GKRB(X)

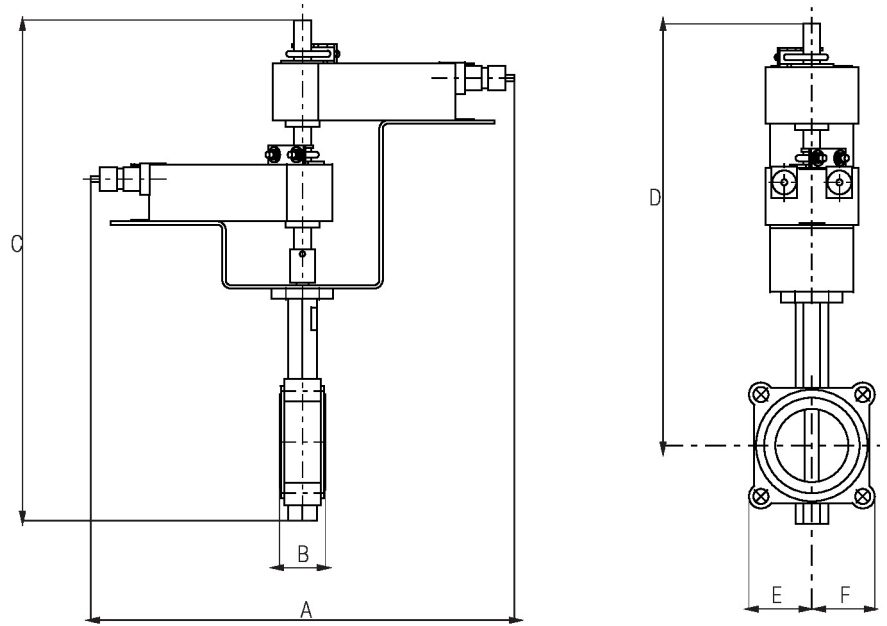
Product features

Flow/Mounting details



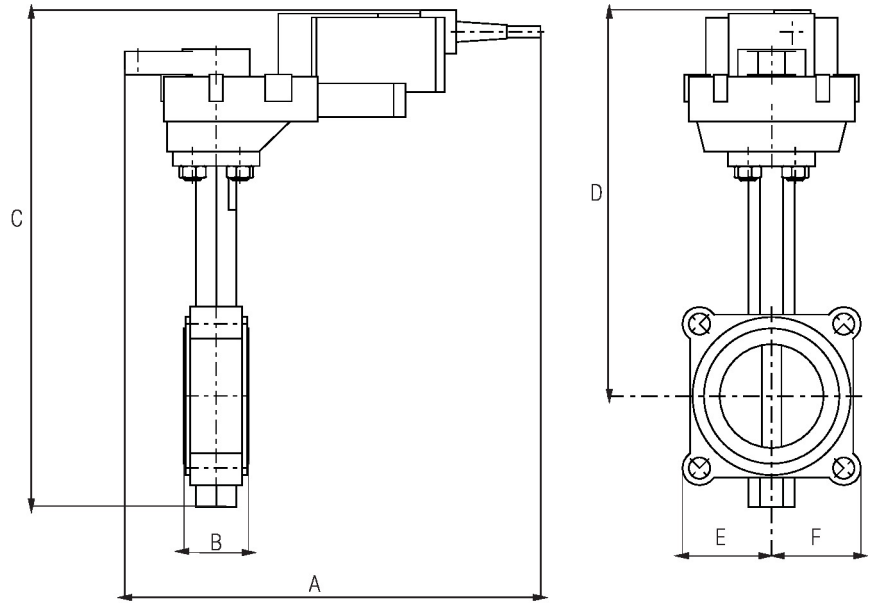
Dimensions

Type	DN	Weight
F680HD	80	6.9 lb [3.1 kg]



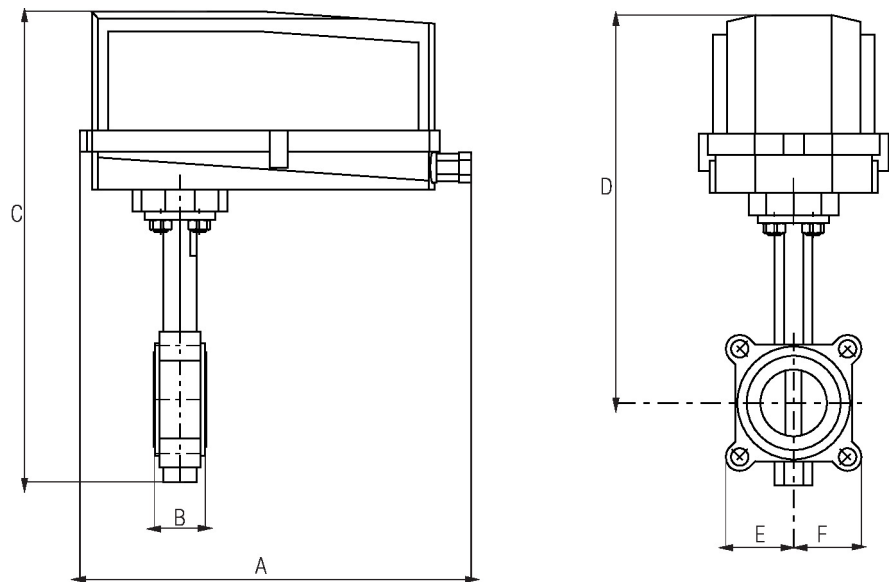
Valve with 2*AF Actuator

A	B	C	D	E	F	Number of Bolt Holes
17.6" [448]	1.9" [49]	21.4" [544]	18.0" [457]	3.5" [89]	3.5" [89]	4



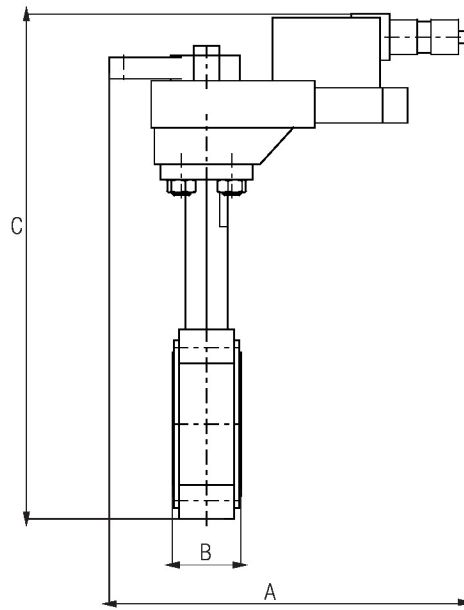
Valve with GK Actuator

A	B	C	D	E	F	Number of Bolt Holes
10.9" [277]	1.9" [49]	16.5" [419]	13.1" [334]	3.5" [89]	3.5" [89]	4

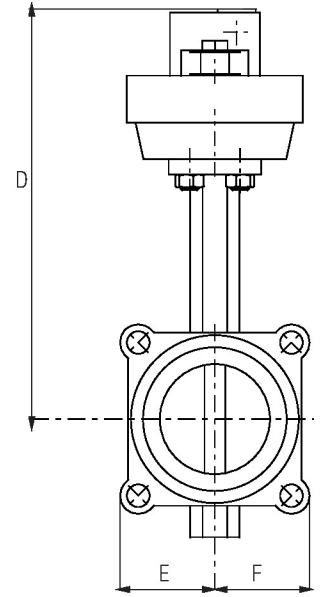


Valve with GR/GK..N4 Actuator

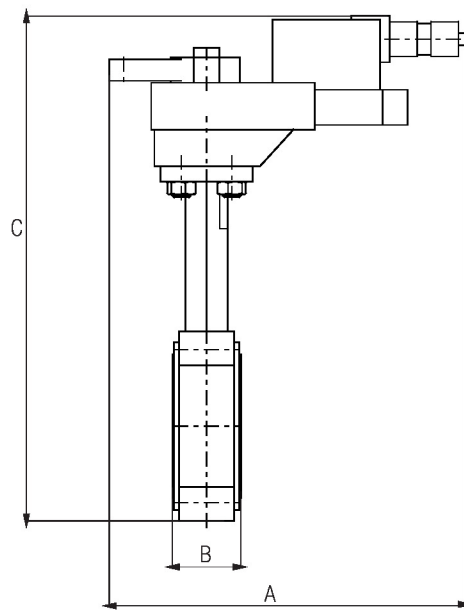
A	B	C	D	E	F	Number of Bolt Holes
14.1" [358]	1.9" [49]	17.8" [451]	14.3" [363]	3.7" [95]	3.7" [95]	4



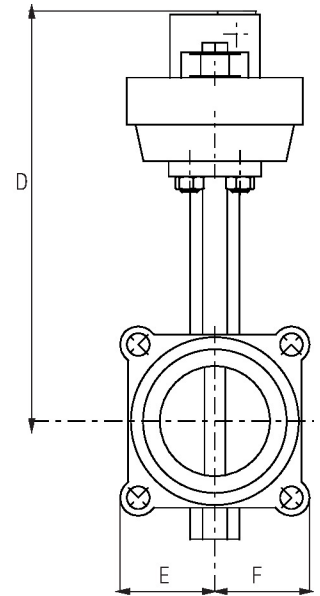
Valve with GR Actuator



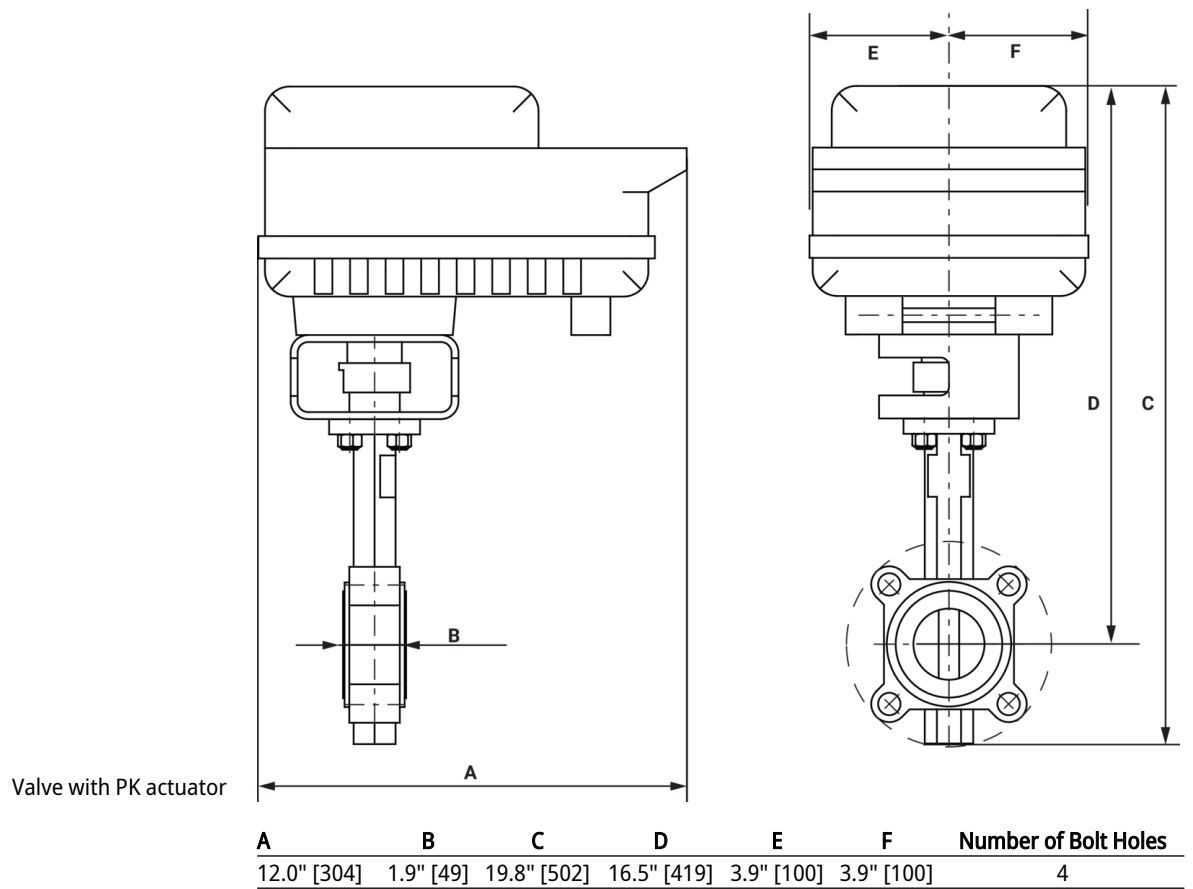
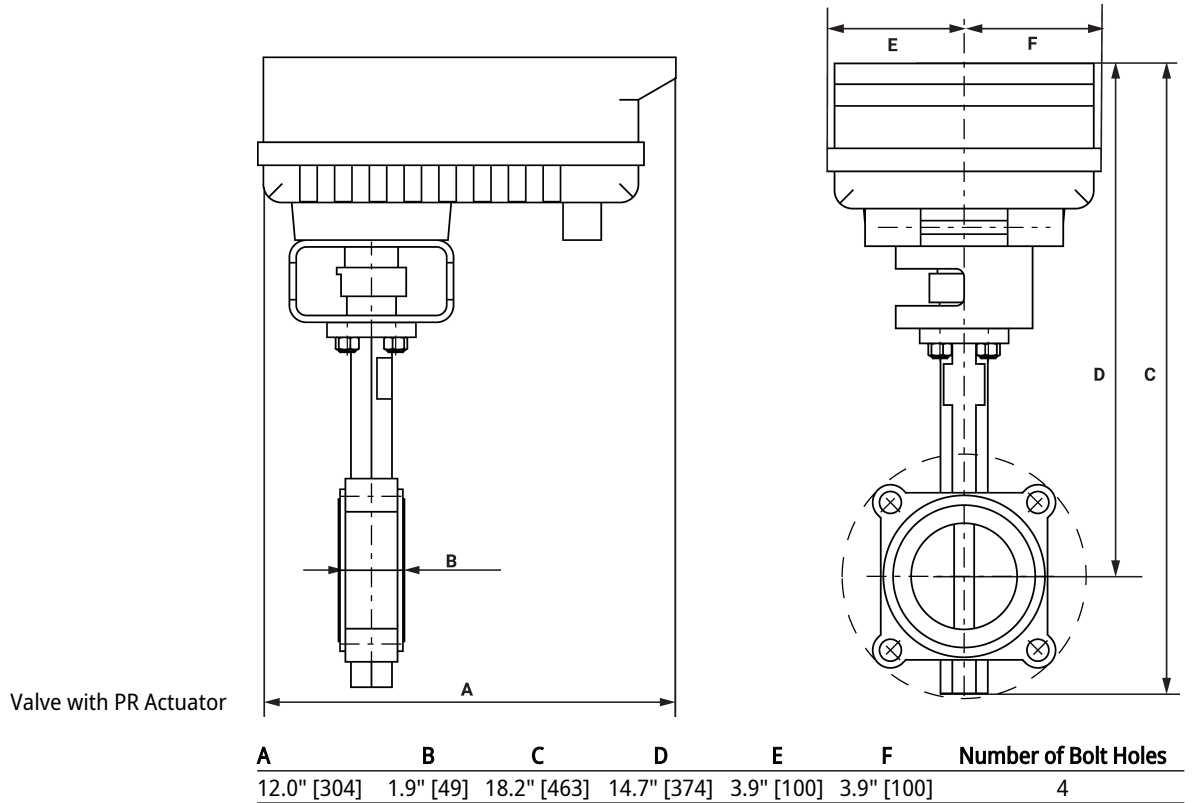
A	B	C	D	E	F	Number of Bolt Holes
10.8" [275]	1.9" [49]	14.3" [362]	11.0" [279]	3.5" [89]	3.5" [89]	4



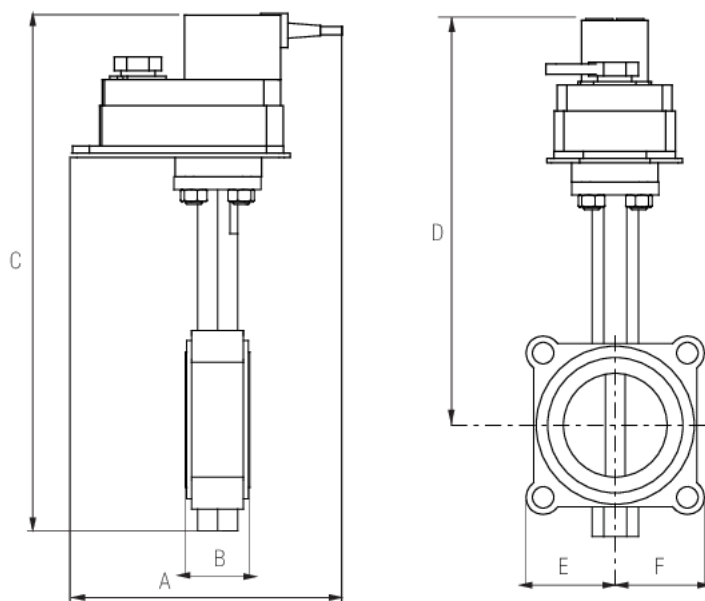
Valve with GM Actuator



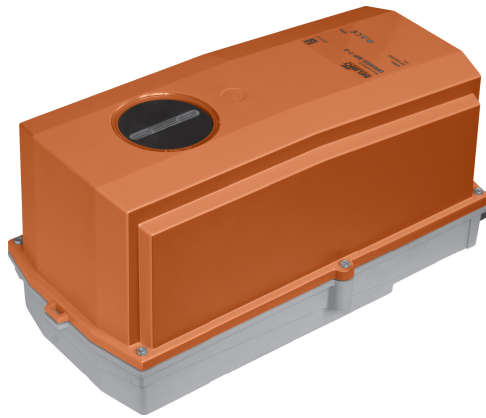
A	B	C	D	E	F	Number of Bolt Holes
9.1" [231]	1.9" [49]	16.5" [419]	13.1" [334]	3.5" [89]	3.5" [89]	4



Valve with DR actuator



A	B	C	D	E	F	Number of Bolt Holes
11.3" [286]	1.9" [49]	15.6" [397]	12.4" [315]	3.5" [89]	3.5" [89]	4



5-year warranty



Technical data

Electrical data	Nominal voltage	AC/DC 24 V
	Nominal voltage frequency	50/60 Hz
	Nominal voltage range	AC 19.2...28.8 V / DC 21.6...28.8 V
	Power consumption in operation	8 W
	Power consumption in rest position	2.5 W
	Transformer sizing	11 VA
	Electrical Connection	Terminal blocks
	Overload Protection	electronic throughout 0...90° rotation
Functional data	Direction of motion motor	selectable with switch 0/1
	Manual override	under cover
	Angle of rotation	90°
	Angle of rotation note	adjustable with mechanical stop
	Running Time (Motor)	35 s / 90°
	Running time motor note	constant, independent of load
	Position indication	Mechanically, 5...20 mm stroke
Safety data	Power source UL	Class 2 Supply
	Degree of protection IEC/EN	IP66/67
	Degree of protection NEMA/UL	NEMA 4X
	Enclosure	UL Enclosure Type 4X
	Agency Listing	cULus acc. to UL60730-1A/-2-14, CAN/CSA E60730-1:02, CE acc. to 2014/30/EU and 2014/35/EU
	Quality Standard	ISO 9001
	Ambient humidity	Max. 100% RH
	Ambient temperature	-22...122°F [-30...50°C]
	Ambient temperature note	-40...50°C for actuator with integrated heating
	Storage temperature	-40...176°F [-40...80°C]
	Servicing	maintenance-free
Weight	Weight	2.7 lb [4.5 kg]
Materials	Housing material	Die cast aluminium and plastic casing

Footnotes †Rated Impulse Voltage 800V, Type of action 1.AA, Control Pollution Degree 3

Accessories

Electrical accessories	Description	Type
	Battery backup system, for non-spring return models	NSV24 US
	Battery, 12 V, 1.2 Ah (two required)	NSV-BAT
	Auxiliary switch 1 x SPDT add-on	S1A
	Auxiliary switch 2 x SPDT add-on	S2A
	Feedback potentiometer 140 Ω add-on, grey	P140A GR
	Feedback potentiometer 1 kΩ add-on, grey	P1000A GR
	Feedback potentiometer 10 kΩ add-on, grey	P10000A GR
	Feedback potentiometer 2.8 kΩ add-on, grey	P2800A GR
	Feedback potentiometer 500 Ω add-on, grey	P500A GR
	Feedback potentiometer 5 kΩ add-on, grey	P5000A GR
Factory add-on option only	Description	Type
	Heater, with adjustable thermostat	N4 Heater Add-on 24V (-H)

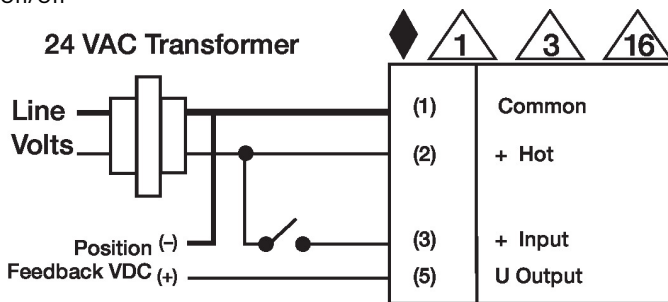
Electrical installation

⚡ INSTALLATION NOTES

- 1** Provide overload protection and disconnect as required.
- 3** Actuators may also be powered by DC 24 V.
- 10** For triac sink the Common connection from the actuator must be connected to the Hot connection of the controller. Position feedback cannot be used with a triac sink controller; the actuator internal common reference is not compatible.
- 12** IN4004 or IN4007 diode. (IN4007 supplied, Belimo part number 40155).
- 16** Actuators are provided with a numbered screw terminal strip instead of a cable.
- ◆ Meets cULus requirements without the need of an electrical ground connection.
- ⚠ Warning! Live electrical components!**
During installation, testing, servicing and troubleshooting of this product, it may be necessary to work with live electrical components. Have a qualified licensed electrician or other individual who has been properly trained in handling live electrical components perform these tasks. Failure to follow all electrical safety precautions when exposed to live electrical components could result in death or serious injury.

Wiring diagrams

On/Off



Floating Point

