

Pressure Independent Valve, 2-way, Flange, (EPIV)



Please note: Due to a supplier issue, certain NEMA 4 actuator covers will be supplied in gray instead of orange until further notice. This change ensures uninterrupted shipping and the same protective properties and product specifications.

Type Overview

| Type | DN | V'nom [GPM] | Body Pressure Rating |
|-----------------------|----------|----------------|---|
| EP400-250+GKRX-E N4HT | 4" [100] | 330 | ANSI Class 250, standard class B, raised-face |

Technical data

| | | | |
|-------------------------------|---|--|------------|
| Electrical data | Nominal voltage | AC/DC 24 V | |
| | Nominal voltage frequency | 50/60 Hz | |
| | Nominal voltage range | AC 19.2...28.8 V / DC 21.6...28.8 V | |
| | Power consumption in operation | 12.1 W | |
| | Power consumption in rest position | 4.1 W | |
| | Transformer sizing | 23.2 VA | |
| | Connection supply/control | Cable 3 ft. [1 m], 6 x 0.75 mm ² | |
| | Conductors, cables | Power supply AC/DC 24 V: cable length <100 m | |
| | Electrical Connection | 18 AWG plenum cable | |
| Data bus communication | Communicative control | BACnet MS/TP Modbus RTU MP-Bus | |
| | Functional data | Operating range Y | 2...10 V |
| | | Operating range Y variable | 0.5...10 V |
| Operating range Y note | | 4...20 mA w/ ZG-R01 (500 Ω, 1/4 W resistor) | |
| Input impedance | | 100 kΩ (0.1 mA), 500 Ω | |
| Operating modes optional | | VDC variable | |
| Position feedback U | | 2...10 V | |
| Position feedback U note | | Max. 1 mA | |
| Position feedback U variable | | VDC variable | |
| Setting Fail-Safe Position | | FC/FO or adjustable 0...100% (POP rotary knob) | |
| Bridging time (PF) | | 2 s | |
| Running Time (Motor) | | 90 s | |
| Running time fail-safe | | <35 s | |
| Sound power level motor | | 45 dB(A) | |
| Sound power level, fail-safe | | 61 dB(A) | |
| V'max adjustable | | 25...100% of V'nom | |
| Control accuracy | ±5% (of 25...100% V'nom) | | |
| Control accuracy note | ±10% (of 25...100% V'nom) @ Glycol 0...60% vol. | | |

Technical data

| | | |
|--|---|---|
| Functional data | Min. controllable flow | 1% of V'nom |
| | Configuration | via Belimo Assistant 2 |
| | Fluid | chilled or hot water, up to 60% glycol max (open loop/steam not allowed) |
| | Fluid temperature | 14...250°F [-10...120°C] |
| | Close-off pressure | Δps 310 psi |
| | Differential pressure | Δp 5...50 psi 1...50 psi, see "Flow Reduction Chart" |
| | Flow characteristic | equal percentage or linear |
| | Leakage rate | 0% leakage |
| | Pipe connection | Flange |
| | Installation orientation | upright to horizontal (in relation to the spindle) |
| | Servicing | maintenance-free |
| | Manual override | external push button |
| | Inlet Length to Meet Specified Measurement Accuracy | ≥ to 5 x DN (according to EN 1434-4:2022) |
| | Thermostat / Humidistat | Type of contact |
| Heating output | | 21 W |
| Inrush current (Thermostat/Humidistat) | | Max. 2.5 A |
| Thermostat range | | 14...122°F [-10...50°C] (factory setting 86°F [30°C]) |
| Heating element | | Positive temperature coefficient resistor (PTC), self-regulating, temperature-limiting |
| Heater | | Aluminium profile, anodized |
| Sensor element | | Thermobimetal |
| Measuring data | Measured values | Flow Fluid temperature in the valve unit |
| | Temperature sensor | Pt1000 - EN 60751, 2-wire technology, inseparably connected integrated in flow sensor |
| Temperature measurement | Measuring accuracy absolute temperature | ±1.1°F @ 50°F [±0.6°C @ 10°C] (Pt1000 EN60751 Class C) ±1.35°F @ 140°F [±0.75°C @ 60°C] (Pt1000 EN60751 Class C) |
| Flow measurement | Measuring principle | Ultrasonic flow measurement |
| | Measuring accuracy flow | ±2% |
| | Min. flow measurement | 0.5% of V'nom |
| | Measurement repeatability | ±0.5% (Flow) |
| | Sensor technology | Ultrasonic with glycol and temperature compensation |
| Safety data | Degree of protection NEMA/UL | NEMA 2 |
| | Housing | UL Enclosure Type 2 |
| | Pressure equipment directive | CE according to 2014/68/EU |
| | Quality Standard | ISO 9001 |
| | UL 2043 Compliant | Suitable for use in air plenums per Section 300.22(C) of the NEC and Section 602 of the IMC |
| | Rated impulse voltage supply | 0.8 kV |
| | Ambient humidity | Max. 95% RH, non-condensing |
| | Ambient temperature | -22...122°F [-30...50°C] |
| | Storage temperature | -40...176°F [-40...80°C] |

Technical data

| | | |
|------------------|---------------------|---|
| Materials | Valve body | Ductile cast iron GGG 40.3 |
| | Body finish | with protective paint |
| | Flow measuring pipe | Ductile cast iron - GGG 40.3 |
| | Closing element | Stainless steel |
| | Stem | stainless steel |
| | Stem seal | EPDM (lubricated) |
| | Seat | PTFE |
| | Characterized disc | TEFZEL® |
| | O-ring | EPDM (lubricated) |
| | Ball | stainless steel |
| Terms | Abbreviations | POP = Power off position / fail-safe position PF = Power fail delay time / bridging time |

Safety notes



- This device has been designed for use in stationary heating, ventilation and air-conditioning systems and must not be used outside the specified field of application, especially in aircraft or in any other airborne means of transport.
- Outdoor application: only possible in case that no (sea) water, snow, ice, insolation or aggressive gases interfere directly with the actuator and that is ensured that the ambient conditions remain at any time within the thresholds according to the data sheet.
- Only authorized specialists may carry out installation. All applicable legal or institutional installation regulations must be complied with during installation.
- The device contains electrical and electronic components and must not be disposed of as household refuse. All locally valid regulations and requirements must be observed.
- WARNING: This product can expose you to chemicals including lead, which is known to the State of California to cause cancer and reproductive harm. For more information go to www.p65warnings.ca.gov

Product features

Operating mode The HVAC performance device is comprised of three components: characterized control valve (CCV), measuring pipe with flow sensor and the actuator itself. The adjusted maximum flow (V'max) is assigned to the maximum control signal (typically 100%). The HVAC performance device can be controlled via communicative signals. The fluid is detected by the sensor in the measuring pipe and is applied as the flow value. The measured value is balanced with the setpoint. The actuator corrects the deviation by changing the valve position. The angle of rotation α varies according to the differential pressure through the control element (see flow curves).

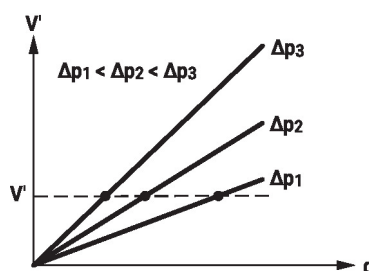
With the supply voltage, the integrated capacitors will be charged.

Interrupting the supply voltage causes the valve to be moved to the selected fail-safe position by means of stored electrical energy.

Calibration certificate The calibration certificate is available for download in PDF format through Belimo Assistant 2.

Flow measurement All flow tolerances are at 68°F [20°C] & water.

Flow rate curves



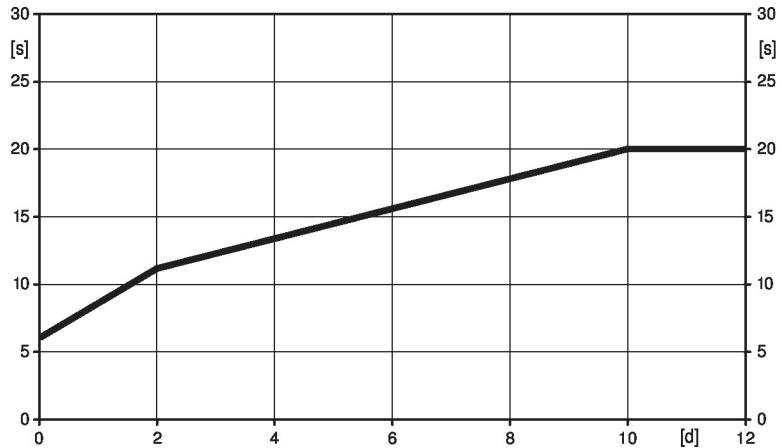
Product features

Pre-charging time (start up) The capacitor actuators require a pre-charging time. This time is used for charging the capacitors up to a usable voltage level. This ensures that, in the event of a power failure, the actuator can move at any time from its current position into the preset fail-safe position.

The duration of the pre-charging time depends mainly on following factors:

- Duration of the power failure
- PF delay time (bridging time)

Typical pre-charging time



[d] = Power failure in days
[s] = Pre-charging time in seconds

| | [d] | | | | |
|-----|-----|---|----|----|-----|
| | 0 | 1 | 2 | 7 | ≥10 |
| [s] | 6 | 9 | 11 | 16 | 20 |

Delivery condition (capacitors) The actuator is completely discharged after delivery from the factory, which is why the actuator requires approximately 20 s pre-charging time before initial commissioning in order to bring the capacitors up to the required voltage level.

Setting fail-safe position The rotary knob fail-safe position can be used to adjust the desired fail-safe position 0...100% in 10% increments. The rotary knob always refers to the adapted angle-of-rotation range. In the event of a power failure, the actuator will move into the selected fail-safe position.

Settings: The rotary knob must be set to the «Tool» position for retroactive settings of the fail-safe position with the Belimo service tool MFT-P. Once the rotary knob is set back to the range 0...100%, the manually set value will have positioning authority.

Product features

Control characteristics The fluid velocity is measured in the measuring component (sensor electronics) and converted to a flow rate signal.

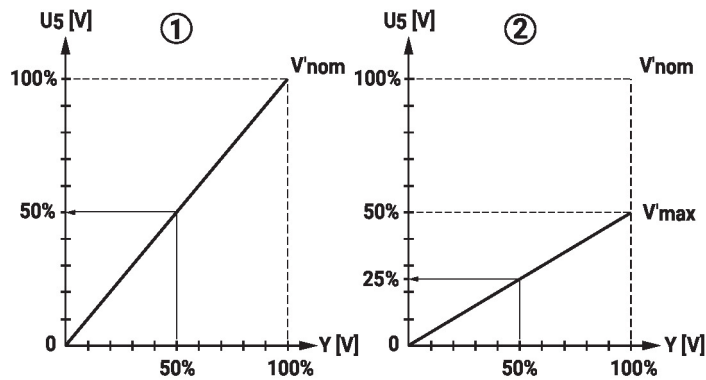
The control signal Y corresponds to the power Q via the exchanger, the volumetric flow is regulated in the EPIV. The control signal Y is converted into a linear characteristic curve and provided with the V'_{max} value as the new reference variable w . The momentary control deviation forms the control signal $Y1$ for the actuator.

The specially configured control parameters in connection with the precise flow rate sensor ensure a stable quality of control. They are however not suitable for rapid control processes, i.e. for domestic water control. $U5$ displays the measured flow as voltage (factory setting).

Configuring V'_{max} with Belimo Assistant 2:

$U5$ refers to the respective V'_{nom} , i.e. if V'_{max} is e.g. 50% of V'_{nom} , then $Y = 10\text{ V}$, $U5 = 5\text{ V}$.

As an alternative, $U5$ can be used for displaying the valve opening angle (position) or the fluid temperature.

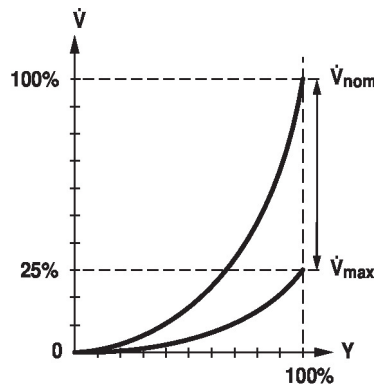


Flow control

V'_{nom} is the maximum possible flow.

V'_{max} is the maximum flow rate which has been set with the highest control signal DDC.

V'_{max} can be set between 25% and 100% of V'_{nom} .



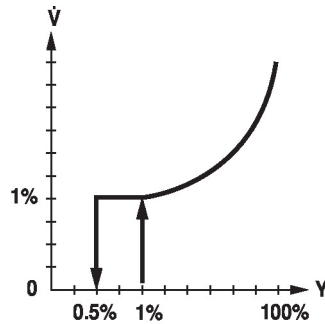
Fluid temperature measurement The integrated temperature sensor within the flow sensor continuously measures the medium's temperature. This measured value can be accessed through the bus system or via the analog feedback signal U . Additionally, the current temperature reading is displayed in the Belimo Assistant 2 App.

Product features

Creep flow suppression Given the very low flow speed in the opening point, this can no longer be measured by the sensor within the required tolerance. This range is overridden electronically.

Opening valve
The valve remains closed until the flow required by the control signal DDC corresponds to 1% of V'_{nom} . The control along the flow characteristic is active after this value has been exceeded.

Closing valve
The control along the flow characteristic is active up to the required flow rate of 1% of V'_{nom} . Once the level falls below this value, the flow rate is maintained at 1% of V'_{nom} . If the level falls below the flow rate of 0.5% of V'_{nom} required by the control signal DDC, then the valve will close.



Converter for sensors Connection option for a sensor (active or with switching contact). In this way, the analog sensor signal can be easily digitized and transferred to the bus systems BACnet, Modbus or MP-Bus.

Control signal inversion This can be inverted in cases of control with an analog control signal. The inversion causes the reversal of the standard behavior, i.e. at a control signal of 0%, is equal to V'_{max} , and the valve is closed at a control signal of 100%.

Hydronic balancing With the Belimo tools, the maximum flow rate (equivalent to 100% requirement) can be adjusted on-site, simply and reliably, in a few steps. If the device is integrated in the management system, then the balancing can be handled directly by the management system.

Combination analogue - communicative (hybrid mode) With conventional control by means of an analog control signal DDC, BACnet, Modbus, or MP-Bus can be used for the communicative position feedback.

Patented glycol compensation Glycol alters the viscosity of the heat transfer fluid, which in turn impacts the accuracy of volumetric flow measurement. Without compensation, errors of up to 30% can occur. Belimo's patented automatic glycol compensation technology greatly reduces these measurement errors.

Selectable fluid types:

- Water
- Propylene glycol
- Ethylene glycol
- Antifrogen L
- Antifrogen N
- DowCal 200
- DowCal 100

Error readout with analog feedback signal If the sensor cannot measure the flow because of a sensor error, this will be indicated by 0.3 V at the position feedback U. This is only the case if the analog position feedback U is set to flow and the lower value of the signal range is 0.5 V or higher.

Manual override Manual control with push-button possible - temporary. The gear train is disengaged and the actuator decoupled for as long as the button is pressed.

High functional safety The actuator is overload protected and automatically stops when the end stop is reached.

Accessories

| Tools | Description | Type |
|------------------------|--|--------------------|
| | Service tool for wired and wireless setup, on-site operation and troubleshooting. | Belimo Assistant 2 |
| | Belimo Assistant Link Bluetooth and USB to NFC and MP-Bus converter for configurable and communicative devices | LINK.10 |
| Mechanical accessories | Description | Type |
| | Valve neck extension for ball valves DN 65...150, for butterfly valves up to DN 80 | ZR-EXT-F05 |

Electrical installation



Supply from isolating transformer.

The wiring of the line for BACnet MS/TP / Modbus RTU is to be carried out in accordance with applicable RS485 regulations.

Modbus / BACnet: Supply and communication are not a galvanic dry contact. COM and the ground of the devices must be connected.

Sensor connection: An additional sensor can optionally be connected to the flow sensor. This can be an active sensor with output DC 0...10 V (max. DC 0...32 V with resolution 30 mV) or a switching contact (switching current min. 16 mA @ 24 V). Thus the analogue signal of the sensor can be easily digitized with the flow sensor and transferred to the corresponding bus system.

Analogue output: An analogue output (wire 5) is available on the flow sensor. It can be selected as 0...10 V, 0.5...10 V, 2...10 V or user defined. For example, the flow rate or the temperature of the temperature sensor (Pt1000 - EN 60751, 2-wire technology) can be output as an analogue value.

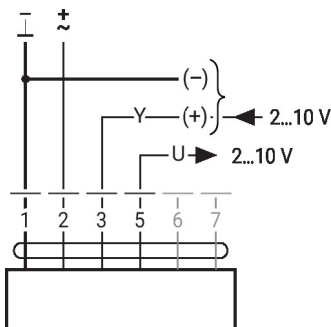
Wire colors:

- 1 = black
- 2 = red
- 3 = white
- 5 = orange
- 6 = pink
- 7 = grey

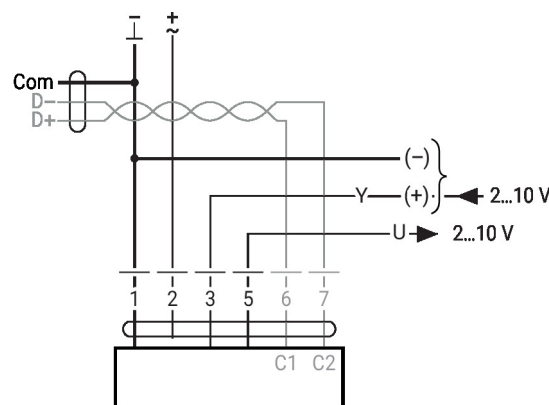
Functions:

- C1 = D- (wire 6)
- C2 = D+ (wire 7)

AC/DC 24 V, modulating



Modbus RTU / BACnet MS/TP with analog setpoint (hybrid operation)



Electrical installation

BACnet MS/TP / Modbus RTU

MP-Bus



Converter for sensors

Connection with switching contact, e.g., differential pressure switch



Switching contact requirements:
The switching contact must be able to switch a current of 16 mA at 24 V accurately.

Connection with active sensor, e.g. 0...10 V @ 0...50°C

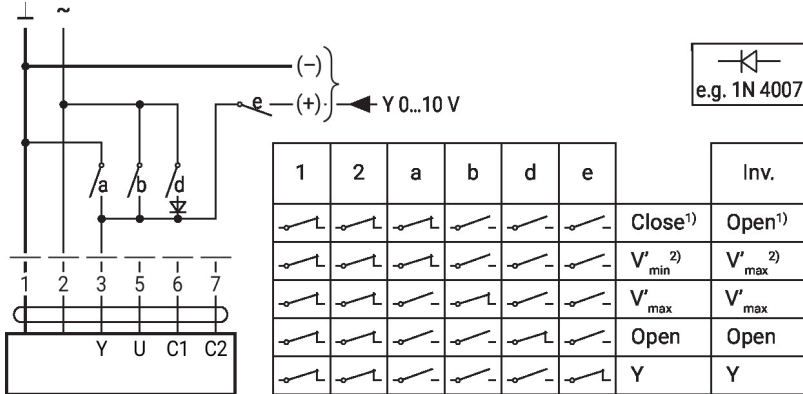


Possible voltage range: 0...32 V
Resolution 30 mV

Further electrical installations

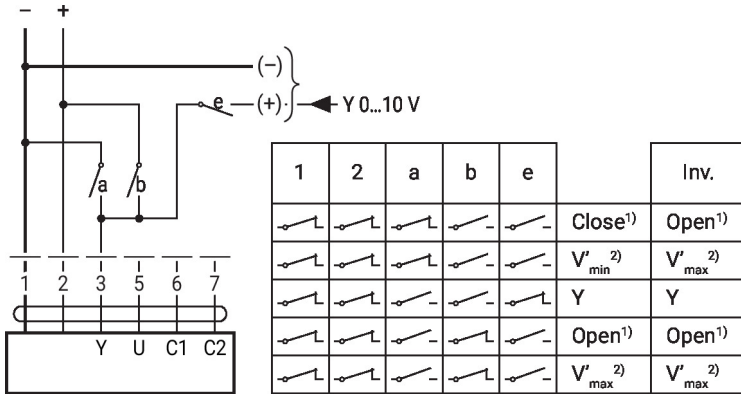
Functions with specific parameters (configuration necessary)

Override control and limiting with AC 24 V with relay contacts (with conventional control or hybrid mode)



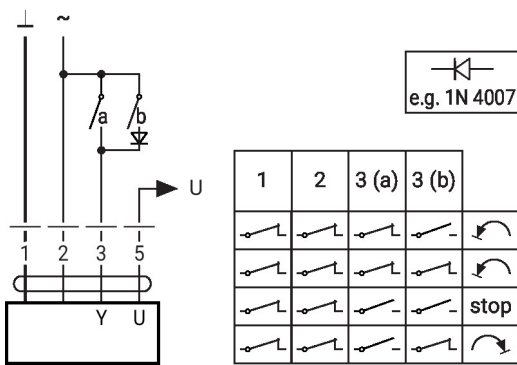
1) Position control
2) Flow control
Inv. = control signal inverted

Override control and limiting with DC 24 V with relay contacts (with conventional control or hybrid mode)



1) Position control
2) Flow control
Inv. = control signal inverted

Control 3-point with AC 24 V

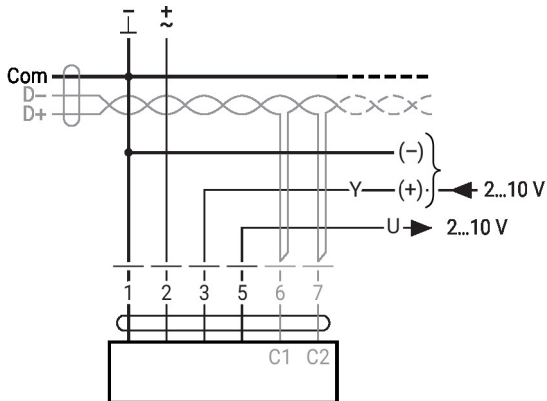


Position control: 90° = 100 s
Flow control: V'_{max} = 100 s

Further electrical installations

Functions with specific parameters (configuration necessary)

BACnet MS/TP / Modbus RTU with analogue setpoint (hybrid mode)



MP-Bus, supply via 3-wire connection



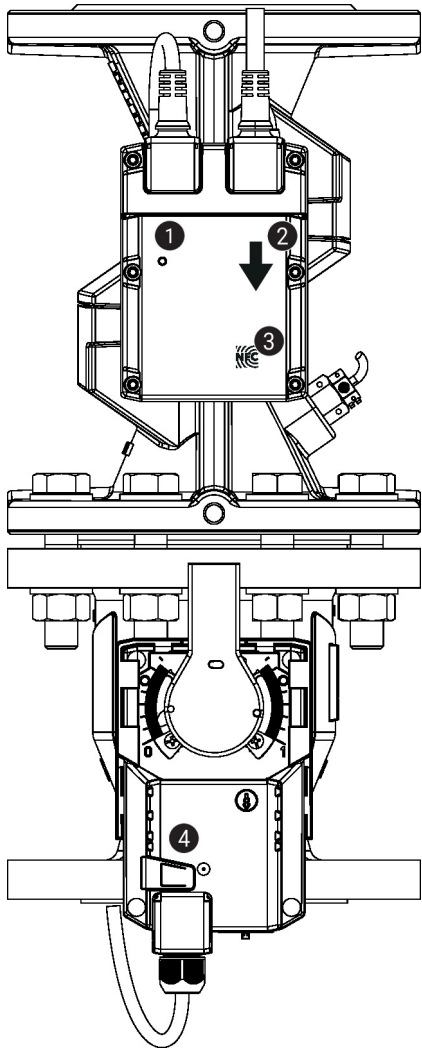
MP-Bus via 2-wire connection, local power supply



Example of external wiring with actuators



Operating controls and indicators



1 LED display green

- On: Device starting up
- Off: No power supply or wiring error
- Flashing: In operation (Voltage ok)

2 Flow direction

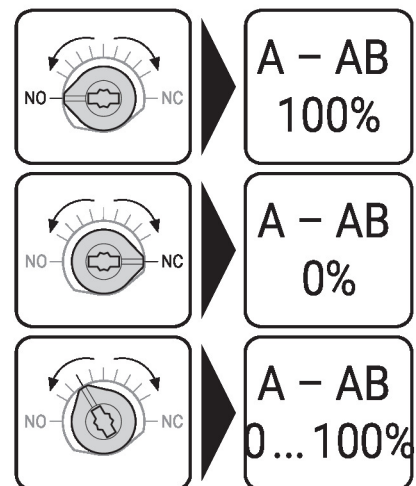
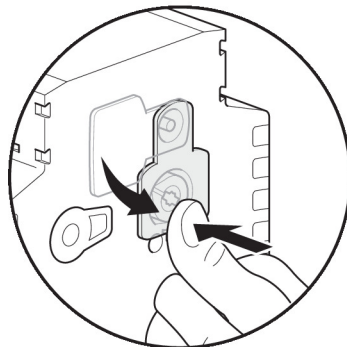
3 NFC interface

4 Manual override button

- Press button: Gear train disengages, motor stops, manual override possible
- Release button: Gear train engages, standard mode. Device performs synchronisation.

Setting fail-safe position

Setting fail-safe position (POP)



Installation notes

Permissible installation orientation The ball valve can be installed upright to horizontal. The ball valve may not be installed in a hanging position, i.e. with the stem pointing downwards.



Installation location in return Installation in the return is recommended.

Water quality requirements The water quality requirements specified in VDI 2035 must be adhered to. Belimo valves are regulating devices. For the valves to function correctly in the long term, they must be kept free from particle debris (e.g. welding beads during installation work). The installation of a suitable strainer is recommended.

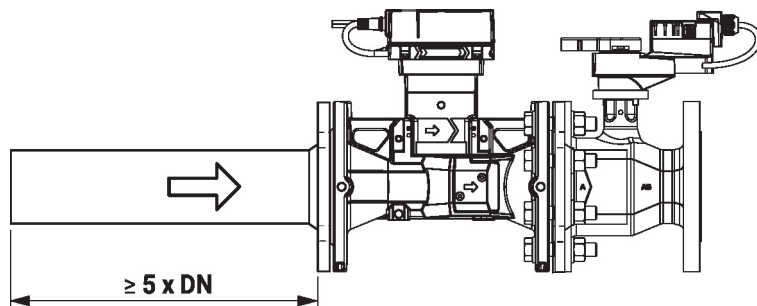
Servicing Ball valves, rotary actuators and sensors are maintenance-free. Before any service work on the control element is carried out, it is essential to isolate the rotary actuator from the power supply (by unplugging the electrical cable if necessary). Any pumps in the part of the piping system concerned must also be switched off and the appropriate slide valves closed (allow all components to cool down first if necessary and always reduce the system pressure to ambient pressure level). The system must not be returned to service until the ball valve and the rotary actuator have been correctly reassembled in accordance with the instructions and the pipeline has been refilled by professionally trained personnel.

Flow direction The direction of flow, specified by an arrow on the housing, is to be complied with, since otherwise the flow rate will be measured incorrectly.

Cleaning of pipes Before installing the valve, the circuit must be thoroughly rinsed to remove impurities.

Prevention of stresses The valve must not be subjected to excessive stress caused by pipes or fittings.

Inlet section A flow-calming or inlet section in the direction of flow must be maintained in front of the flow sensor to achieve the specified measuring accuracy. An inlet section of $\geq 5 \times DN$ is recommended. The product has been tested and meets the requirements of EN1434-4:2022.



Split installation The valve-actuator combination may be mounted separately from the flow sensor. The direction of flow of both components must be observed.

General notes

Valve selection The valve is determined using the maximum required flow rate V'_{max} . A calculation of the Kvs value is not required.
 $V'_{max} = 25 \dots 100\%$ of V'_{nom}
 If no hydronic data is available, the same valve DN can be selected as the heat exchanger nominal diameter.

General notes

Behaviour in case of sensor failure In case of a flow sensor error, the EPIV will switch from flow control to position control. Once the error disappears, the EPIV will switch back to the normal control setting.

Service

Using Belimo Assistant 2, device parameters can be modified. Belimo Assistant 2 can operate on a smartphone, tablet, or PC. The available connection options vary depending on the hardware on which Belimo Assistant 2 is installed.

For more information about Belimo Assistant 2, refer to the Quick Guide – Belimo Assistant 2.

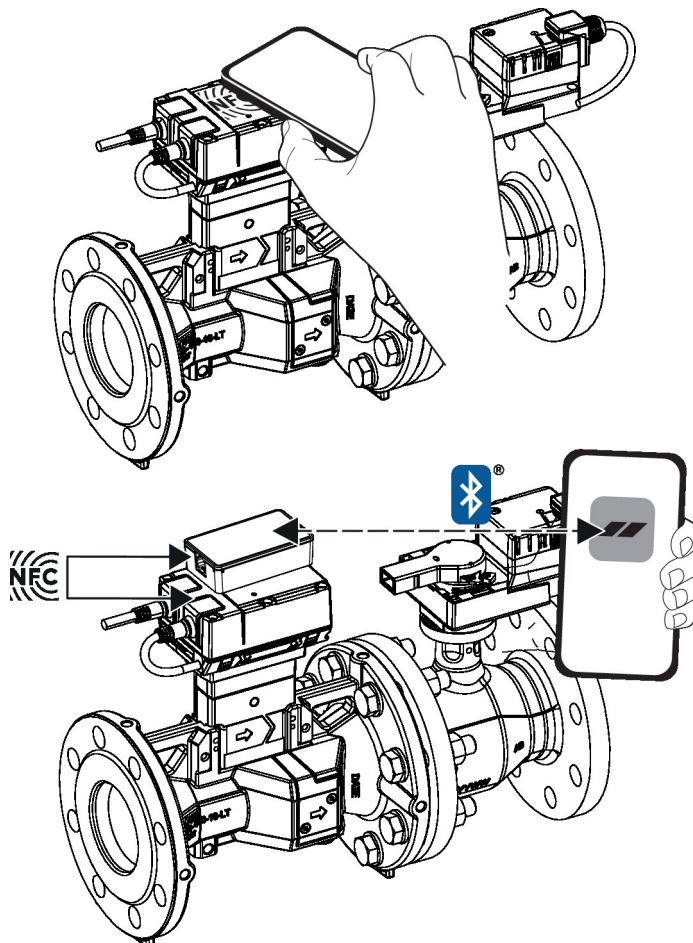


Wireless connection Belimo devices marked with the NFC logo can be accessed either directly with an NFC-capable smartphone or with a Bluetooth-capable smartphone connected to Belimo Assistant Link.

Requirement:

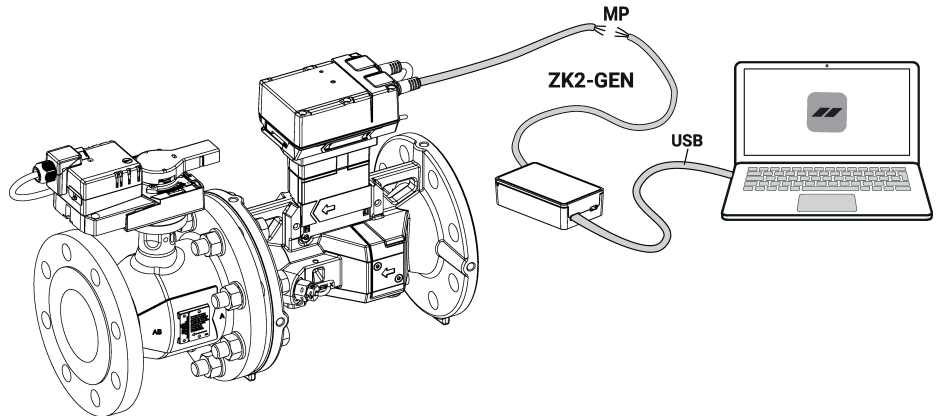
- NFC- or Bluetooth-capable smartphone or tablet
- Belimo Assistant 2 (Google Play and Apple App Store)

Align the NFC-capable smartphone or Belimo Assistant Link with the device's NFC logo so that both NFC antennas are superposed.

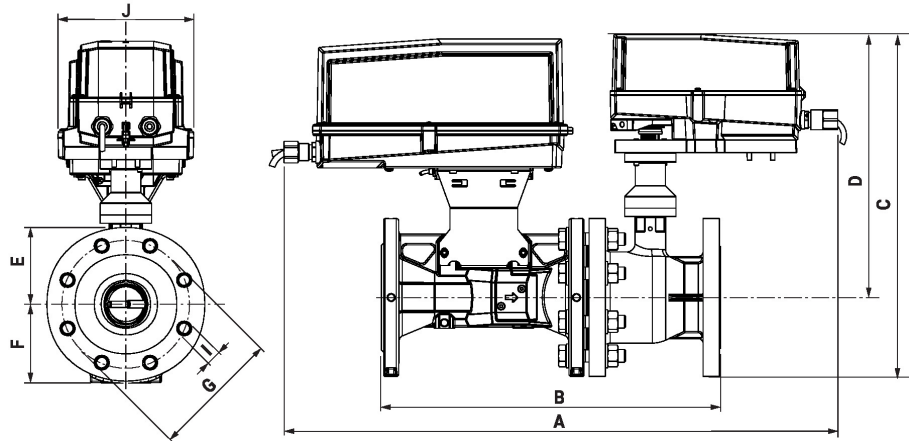


Service

Wired connection Alternatively, the Belimo devices can be accessed by connecting Belimo Assistant Link to the USB port on a PC or laptop and to the MP-Bus wire on the device.
Belimo Assistant 2 acts as MP client. Therefore, no other MP client shall be connected to the device.



Dimensions



| Type | | DN | | Weight | | | | | |
|-----------------------|-------------|-------------|-------------|----------------|------------|------------|-----------|------------|----------------------|
| EP400-250+GKRX-E N4HT | | 4" [100] | | 152 lb [69 kg] | | | | | |
| A | B | C | D | E | F | G | I | J | Number of Bolt Holes |
| 30.3" [770] | 18.7" [474] | 19.9" [506] | 14.9" [378] | 5.0" [127] | 5.0" [127] | 7.9" [200] | 0.9" [22] | 6.8" [172] | 8 |