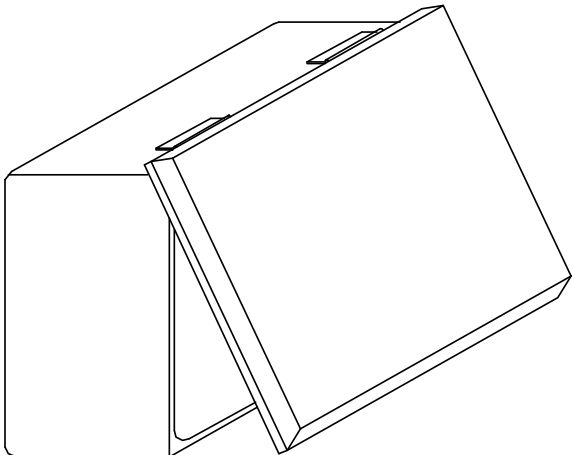




Application

The ZS-SPBV Weather Shields provide moderate protection for valves which are mounted outdoors. This product is not designed as a water tight enclosure. The ZS-SPBV is used with B2/B3 VS/VSS series valves.

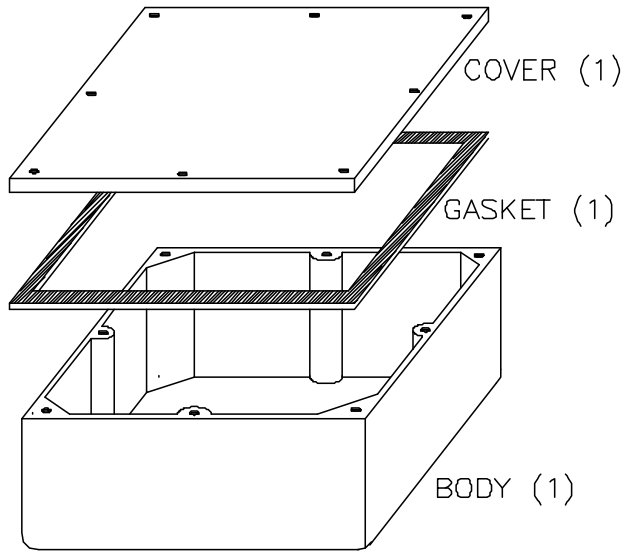
Specifications	
Cover	Poly Vinyl Chloride (PVC)
Perimeter Gasket	BUNA
Screws	Brass
Temperature Limitations	-22°F to +122°F [-30°C to +50°C]



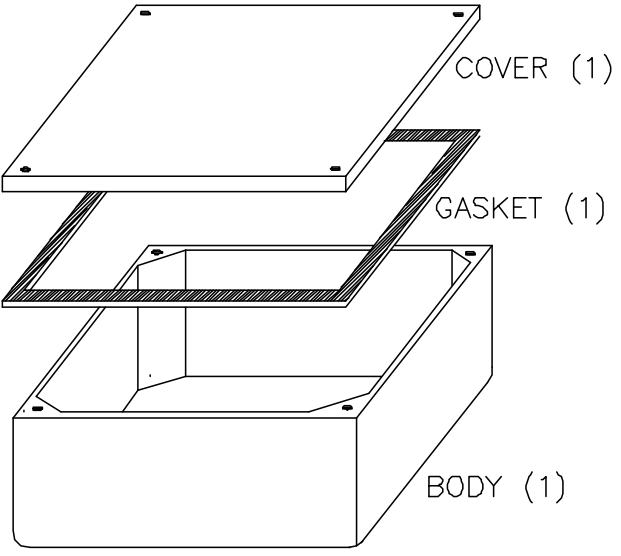
ZS-SPBV-20

Part No.	For Actuator	Length (in. [mm])	Depth (in. [mm])	Width (in. [mm])
ZS-SPBV-10	AM, GM, NF, AF	13" [330]	4" [102]	13" [330]
ZS-SPBV-20	2*GM, 2*AF	16" [406]	9.25" [235]	18" [457]
ZS-SPBV-30	LM, NM, LF	8" [203]	4" [102]	8" [203]

L30018- 03/09 - Subject to change. © Belimo Aircontrols (USA), Inc.



ZS-SPBV-10



ZS-SPBV-30