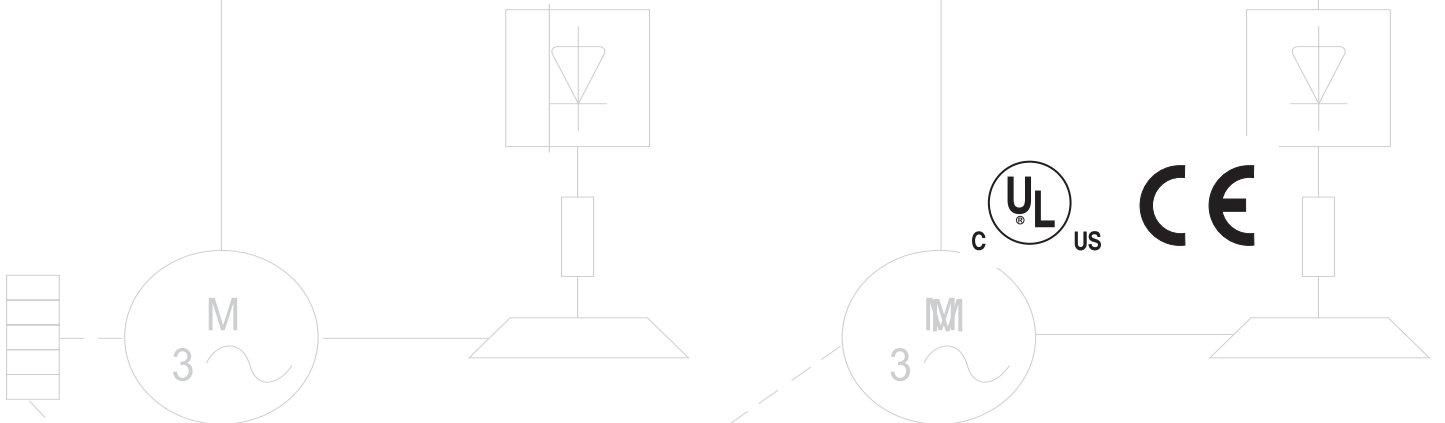
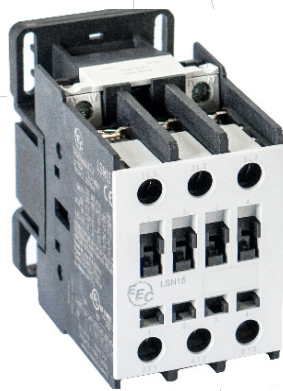
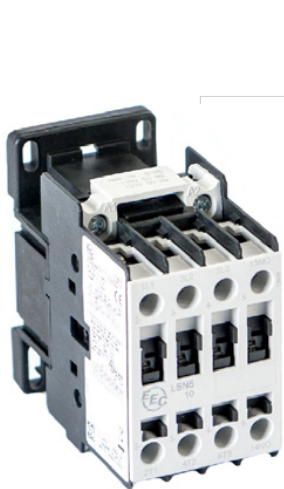


## LIGHTING CONTACTOR - LSN series Ballast & LED



## Overview


EEC's new generation of Lighting Contactors, designed to meet the new demands Lighting Applications (Ballast & LED). Ranging from 30A up to 500A, EEC is able to offer a wide range of solutions for most lighting contactor requirements. Adhering to UL508, CSA 22.2 #14 (USA and Canada), as well as IEC 60947 and CE approvals. EEC's lighting contactors are suitable for use throughout the world.

|             | 240 | 400 | 440  | 500  |
|-------------|-----|-----|------|------|
| AC-1 kW     | 12  | 22  | 23   | 27,5 |
| AC-3 kW     | 4,5 | 7,5 | 9,2  | 9,2  |
| HP          | 6   | 10  | 12,5 | 12,5 |
| Ie AC-3 (A) | 18  | 18  | 18   | 14   |
| Ie AC-3 (A) | 18  | 18  | 18   | 14   |

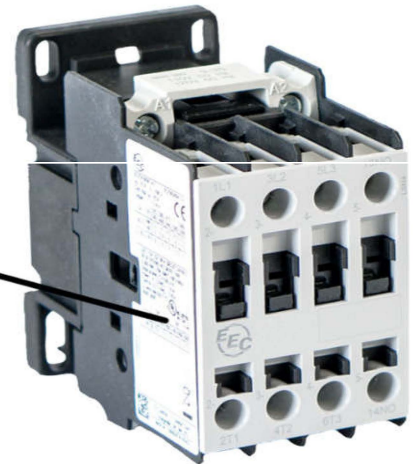
SUITABLE FOR USE ON A CIRCUIT CAPABLE OF DELIVERING NOT MORE THAN 5,000 RMS SYM. AMPS, 600 VOLTS MAX.

**AC-5a/AC-5b: 30 A - 347/600 Vac, 3 Ø**

Break all Lines 32 A 600 Vac  
 Power: 14-10 AWG / 15 lb.in  
 Control: 16-12 AWG / 10 lb.in  
 Cu wire only 60/7 C



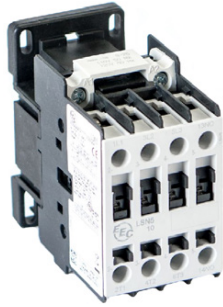
|        | 1ph |     | 3ph |     |
|--------|-----|-----|-----|-----|
| Ue (V) | 120 | 240 | 200 | 240 |
| HP     |     | 3   | 5   | 5   |
|        |     |     |     | 10  |
|        |     |     |     | 15  |



EEC is also offering 277VAC & 347VAC coils as a standard offering, allowing for quicker turn around on contactor types that most companies would consider special order



| Utilization Category | Typical Application             | Description   |
|----------------------|---------------------------------|---|
| AC-5a                | Switching of discharge lamps    | Gas-discharge lamps are a family of artificial light sources that generate light by sending an electric discharge through an ionized gas, a plasma. |
| AC-5b                | Switching of incandescent lamps | Incandescent light bulb is an electric light with a wire filament heated until it glows.  |



## LSN Lighting Contactors - Selection Table

Contactors for Lighting Applications (Ballast & LED)



| Amperage Rating<br>Ballast / LED<br>600VAC - Maximum<br><br>A | Number of poles  |                 | Part #       | List \$ |
|---|------------------|-----------------|--------------|---------|
|   | *3 <br>*4 <br>NO | L*1<br>*2<br>NC |              |         |
| 30  | 2                | 2               | LSN7-2200-♦  | \$ 110  |
|   | 4                | -               | LSN7-400-♦   | \$ 110  |
|   | -                | 4               | LSN7-04-♦    | \$ 110  |
| 40  | 3                | -               | LSN18-300L-♦ | \$ 160  |
| 60  | 3                | -               | LSN37-300L-♦ | \$ 274  |
| 80  | 3                | -               | LSN45-300L-♦ | \$ 370  |

To Complete the Part #, Replace “♦” with the Appropriate Coil Voltage Code <sup>1)</sup>

| AC coil - 60 Hz    |    |     |         |         |     |     |     |
|--------------------|----|-----|---------|---------|-----|-----|-----|
| Coil voltage codes | G  | A   | C       | D       | E   | F   | H   |
| VAC - 50/60 Hz     | 24 | 120 | 208/230 | 347/380 | 480 | 600 | 277 |

| Amperage Rating<br>Ballast / LED<br>600VAC - Maximum<br><br>A | Number of poles  |                 | Part #        | List \$  |
|---|------------------|-----------------|---------------|----------|
|   | *3 <br>*4 <br>NO | L*1<br>*2<br>NC |               |          |
| 100   | 3                | -               | LSN75-322L-♦  | \$ 870   |
| 150   | 3                | -               | LSN90-322L-♦  | \$ 1,100 |
| 200   | 3                | -               | LSN132-322L-♦ | \$ 1,410 |
| 300   | 3                | -               | LSN220-322-♦  | \$ 1,920 |

To Complete the Part #, Replace “♦” with the Appropriate Coil Voltage Code <sup>1)</sup>

| 50/60 Hz / DC <sup>2)</sup> |         |           |           |           |          |
|-----------------------------|---------|-----------|-----------|-----------|----------|
| Coil voltage codes          | G       | A         | C         | E         | F        |
| 50/60 Hz / DC <sup>3)</sup> | 24-28 V | 110-130 V | 208-250 V | 430-500 V | 600VAC * |





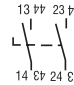
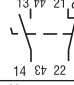
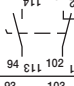
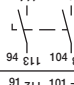
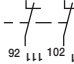
Notes: 1) Other voltages available.

2) Surge suppressor is already integrated


## Accessories

### Auxiliary Contact Blocks


- Rated 10A I<sub>th</sub>
- UL508 & CSA 22.2 #14 (USA & Canada)
- Positive driven contacts in accordance with IEC 60947-4-1 resp. IEC 60947-5-1

| Illustrative picture  | For use with     | Max. number of contacts/ contactor    | Contacts |    | Terminal Identification   | Part # | List \$ |
|---|------------------|---------------------------------------|----------|----|---|--------|---------|
|   |                  |                                       | NO       | NC |   |        |         |
|  | LSN4...LSN55     | 4 - LSN4...LSN11<br>6 - LSN15...LSN18 | 1        | 0  |    | HBXT10 | \$ 14   |
|   |                  |                                       | 0        | 1  |    | HBXT01 | \$ 14   |
|  | LSN4...LSN220    | 8 - LSN22...55<br>8 - LSN75...LSN220  | 2        | 0  |    | HBXS20 | \$ 26   |
|   |                  |                                       | 1        | 1  |    | HBXS11 | \$ 26   |
|   | LSN280<br>LSN375 | 8 - LSN280...LSN375                   | 1        | 1  |    | HCXS11 | \$ 26   |
|   |                  |                                       | 2        | 0  |   | HCXS20 | \$ 26   |
|   |                  |                                       | 0        | 2  |  | HCXS02 | \$ 26   |

### Individual Spare Coils

| Illustrative picture  | Description  | For use with    | Part # | List \$ |
|---|--|-----------------|--------|---------|
|  | AC coil  | LSN4...LSN11    | LCN2-♦ | \$ 30   |
|   |  | LSN15...LSN18   | LCN3-♦ | \$ 40   |
|   |  | LSN22...LSN55   | LCN4-♦ | \$ 70   |
|   | Dual-voltage coils AC/DC (contactors with electronic module) | LSN75...LSN90   | LCN5-♦ | \$ 120  |
|   |  | LSN132          | LCN6-♦ | \$ 130  |
|   |  | LSN160...LSN220 | LCN7-♦ | \$      |
|   |  | LSN280...LSN375 | LCN8-♦ | \$      |

### Electronic Module

| Illustrative picture  | Description | For use with    | Part #                 | List \$ |
|---|-------------|-----------------|------------------------|---------|
|  | AC/DC       | LSN75...LSN220  | LCE220-♦ <sup>2)</sup> | \$ 30   |
|   |             | LSN280...LSN375 | LCE375-♦ <sup>2)</sup> | \$ 40   |

To Complete the Part #, Replace "♦" with the Appropriate Coil Voltage Code <sup>3)</sup>

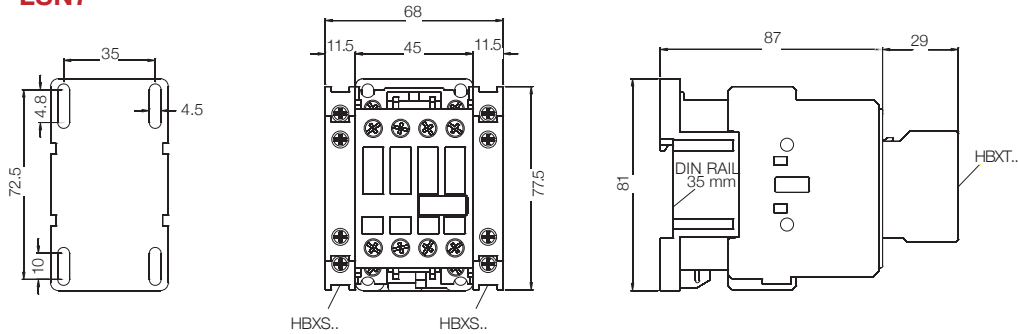
| AC coil - 60 Hz    |    |     |         |         |     |     |     |
|--------------------|----|-----|---------|---------|-----|-----|-----|
| Coil voltage codes | G  | A   | C       | D       | E   | F   | H   |
| VAC - 50/60 Hz     | 24 | 120 | 208/230 | 347/380 | 480 | 600 | 277 |

| 50/60 Hz / DC <sup>3)</sup> LSN75- LSN220) |         |           |           |           |          |
|--|---------|-----------|-----------|-----------|----------|
| Coil voltage codes                         | G       | A         | C         | E         | F        |
| 50/60 Hz / DC <sup>3)</sup>                | 24-28 V | 110-130 V | 208-250 V | 430-500 V | 600VAC * |

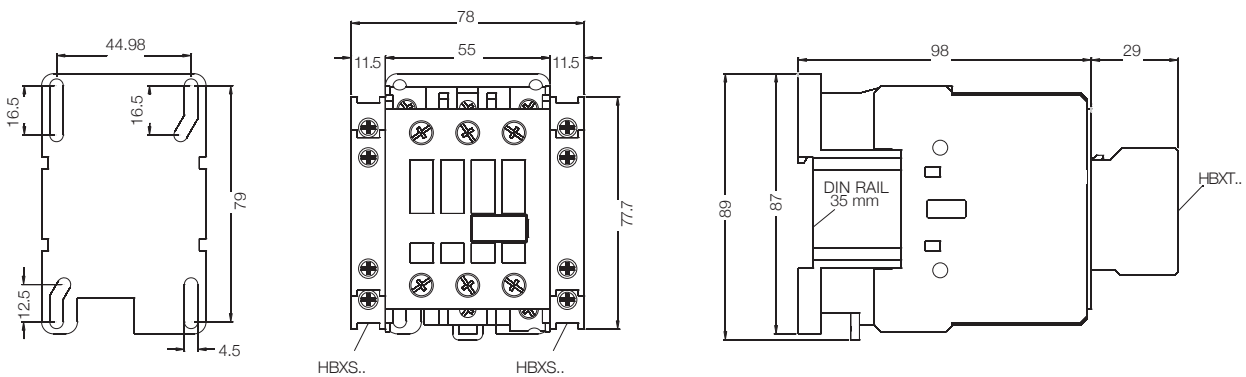
## Dimensions

### Dimensions (mm)

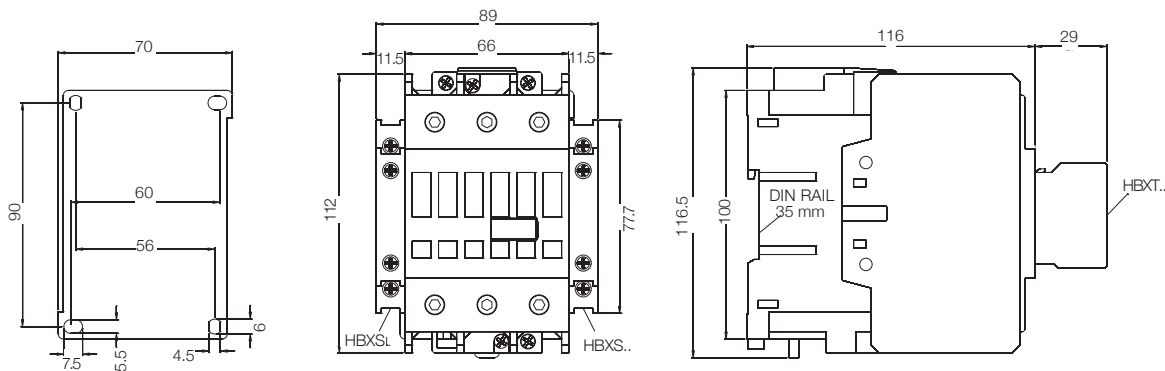
#### LSN7



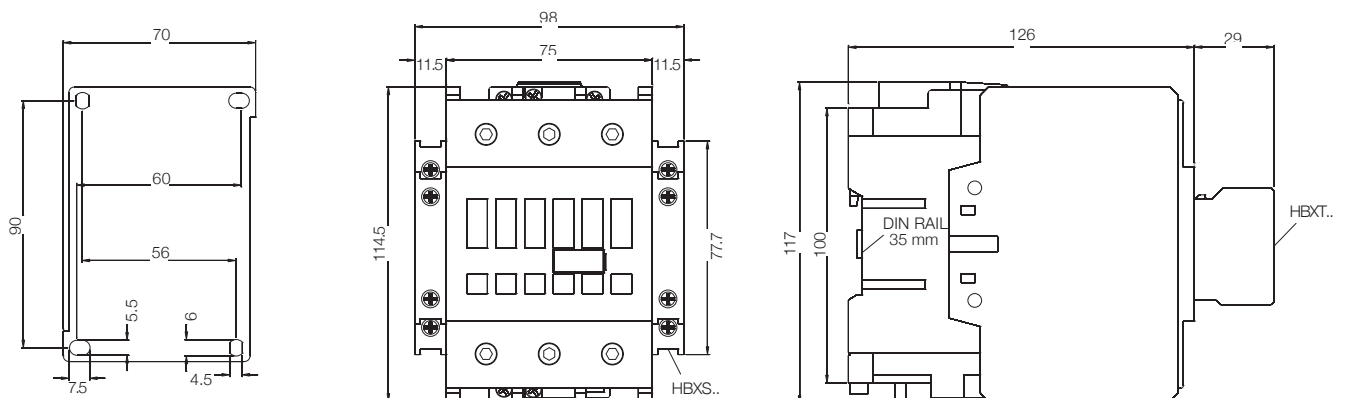
#### LSN18



#### LSN37

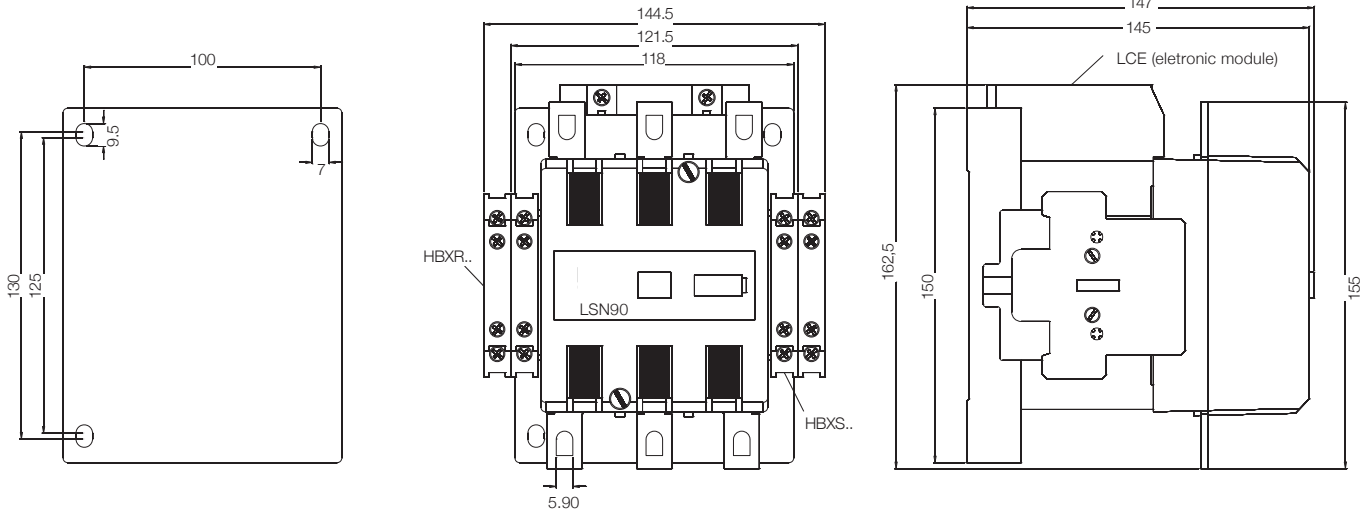


#### LSN45

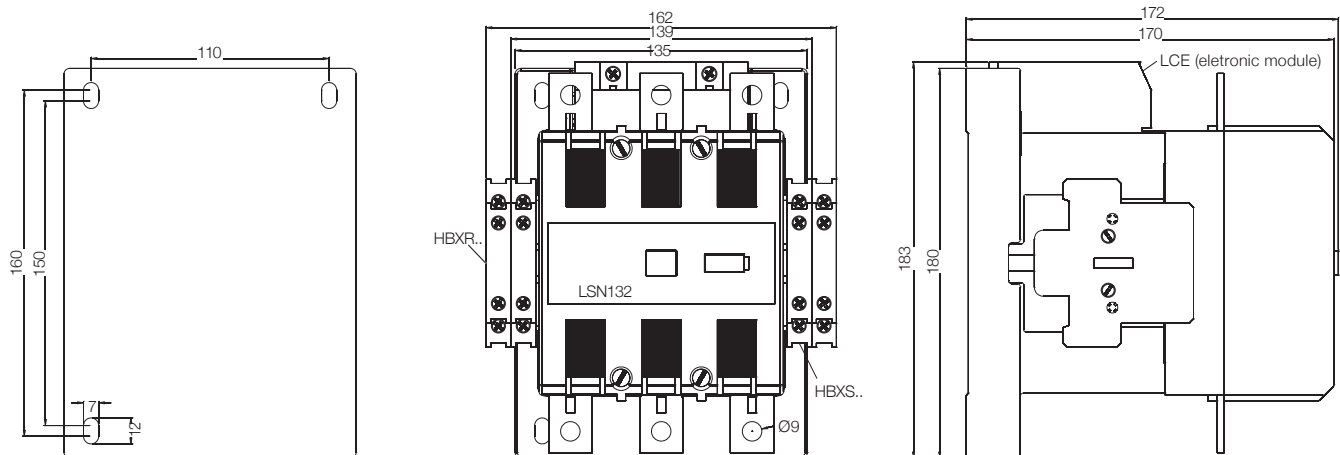


## Dimensions

### LSN75...LSN90



### LSN132



### LSN220

