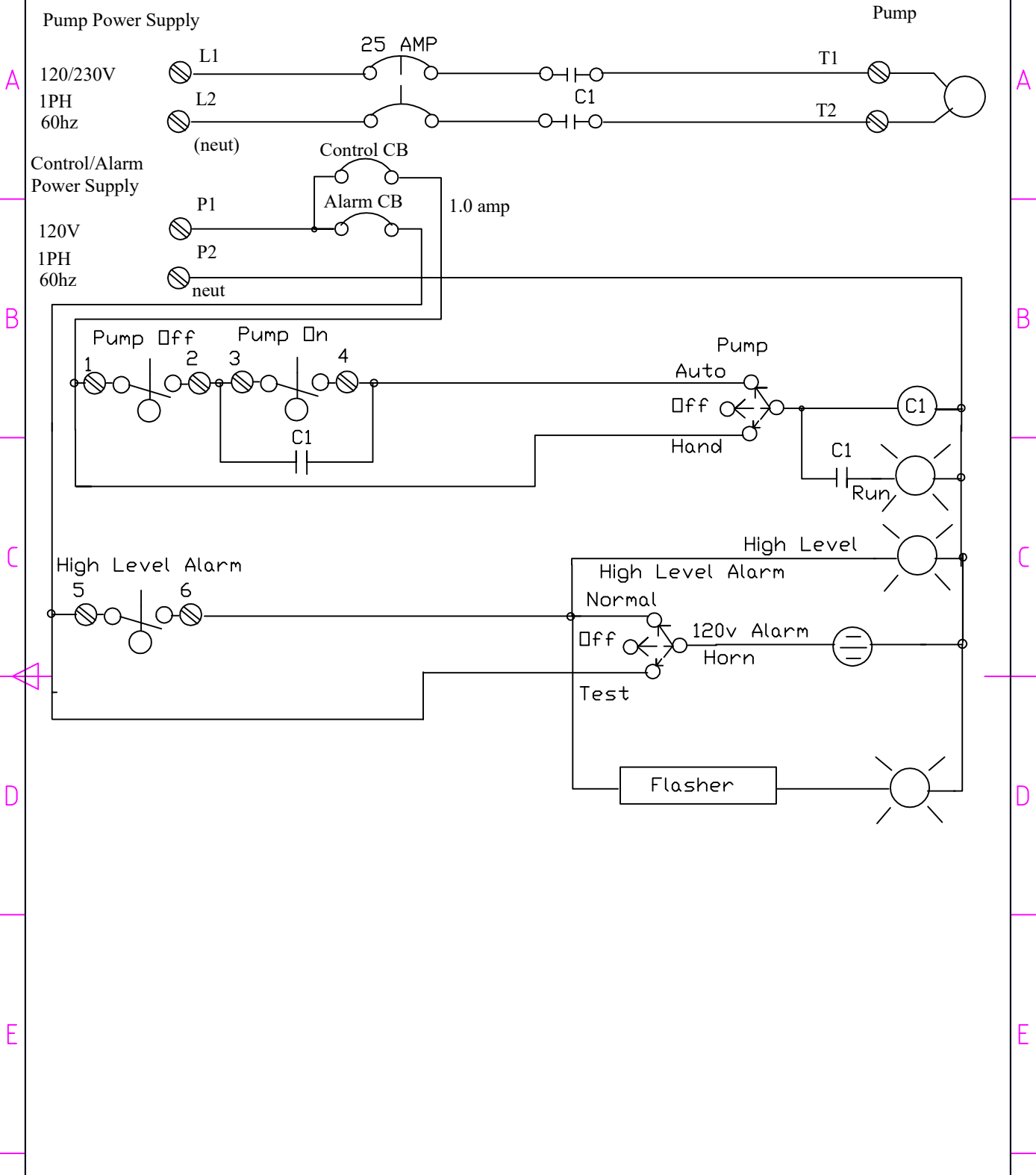
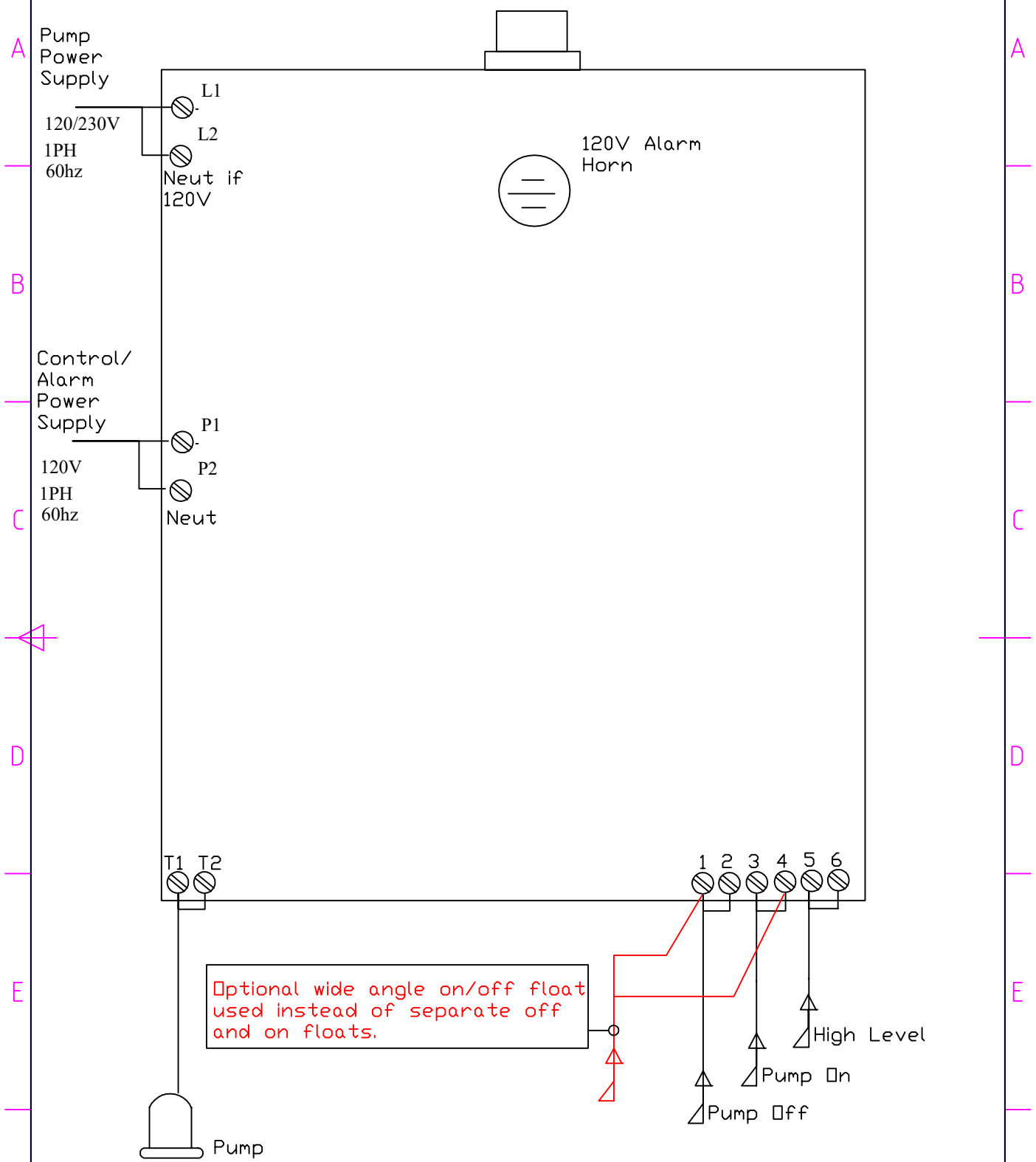


1	2	3	4
RevNo	Revision note	Date	Signature
			Checked



Itemref	Quantity	Title/Name, designation, material, dimension etc	Article No./Reference
Designed by pdh	Checked by pdh	Approved by - date 03/19/09	File name 10-0008 pg 1
			Date 03/19/09
			Scale 1:1
EE Controls		S10020	
		110-002	Edition 0
			Sheet 1/2

1	2	3	4
RevNo	Revision note	Date	Signature
			Checked



Optional wide angle on/off float used instead of separate off and on floats.

Itemref	Quantity	Title/Name, designation, material, dimension etc	Article No./Reference		
Designed by pdh	Checked by pdh	Approved by - date 03/19/09	File name 110-002 pg 2	Date 03/19/09	Scale 1:1
EE Controls			S10020		