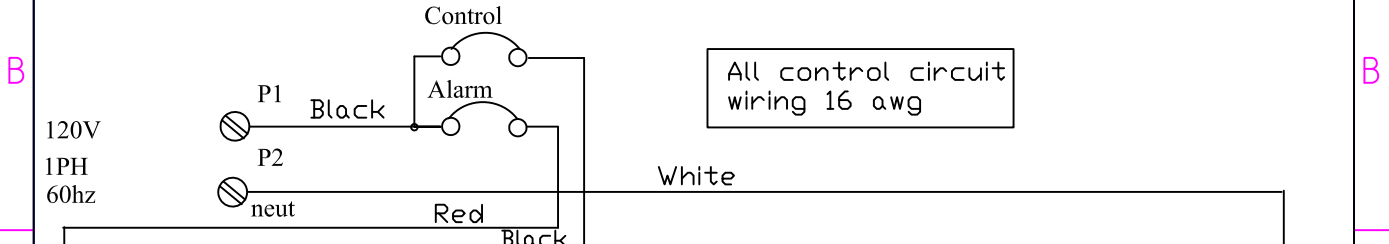
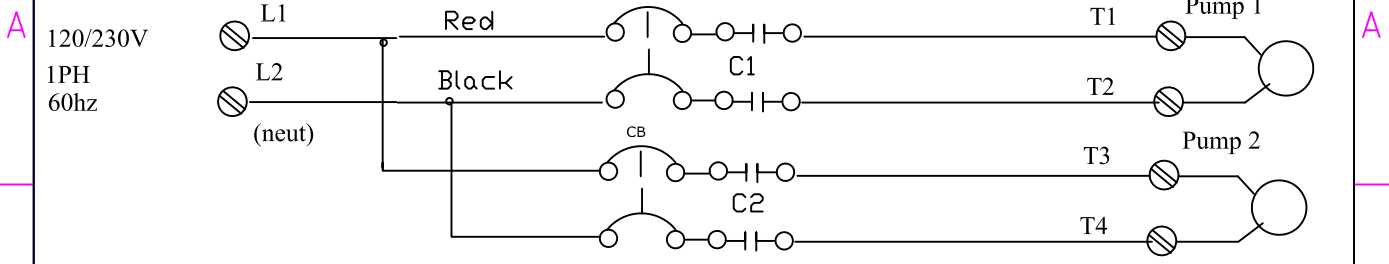


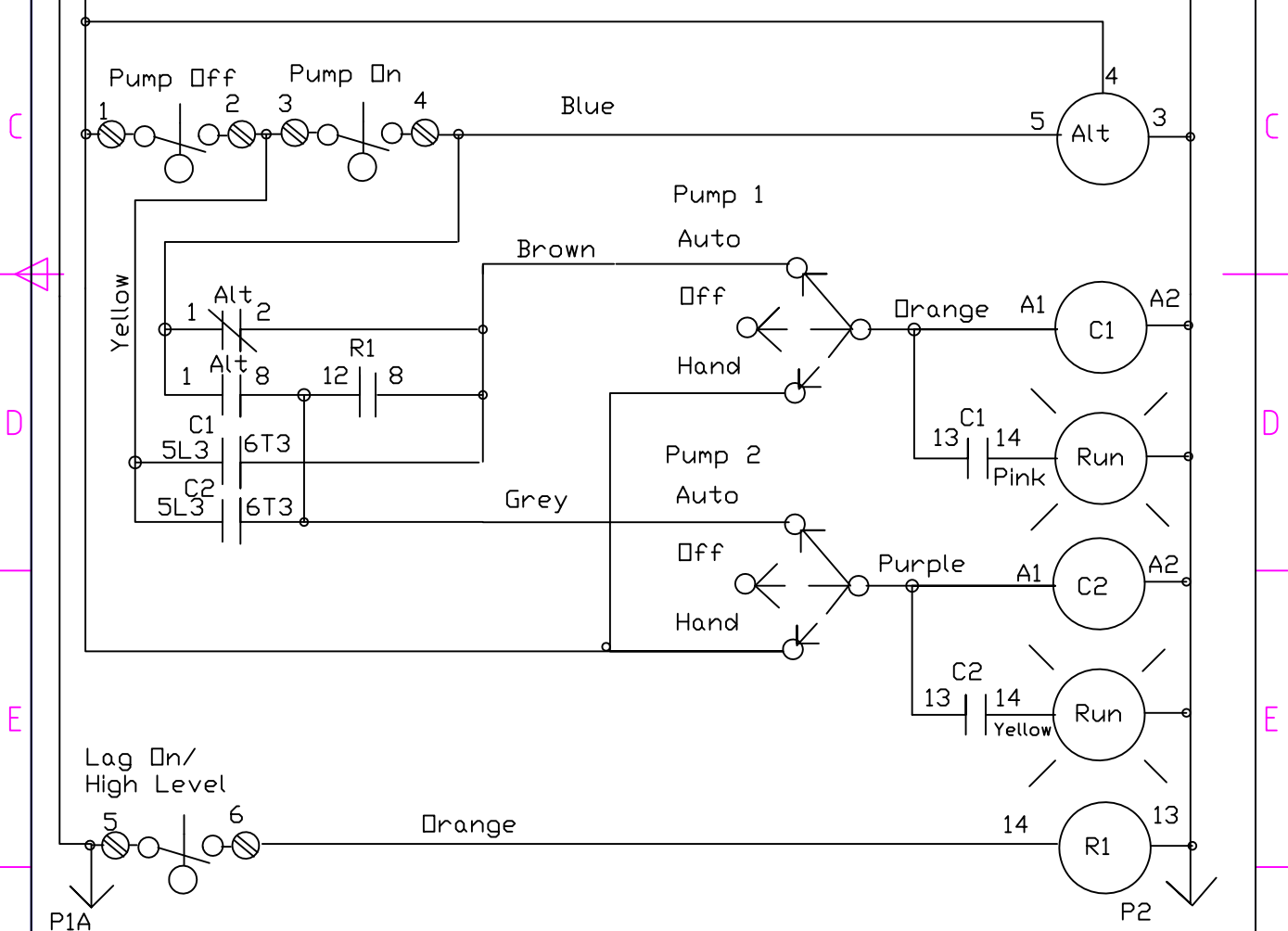
1	2	3	4
RevNo	Revision note	Date	Signature
			Checked

Pump Power Supply

All power wiring 12 AWG

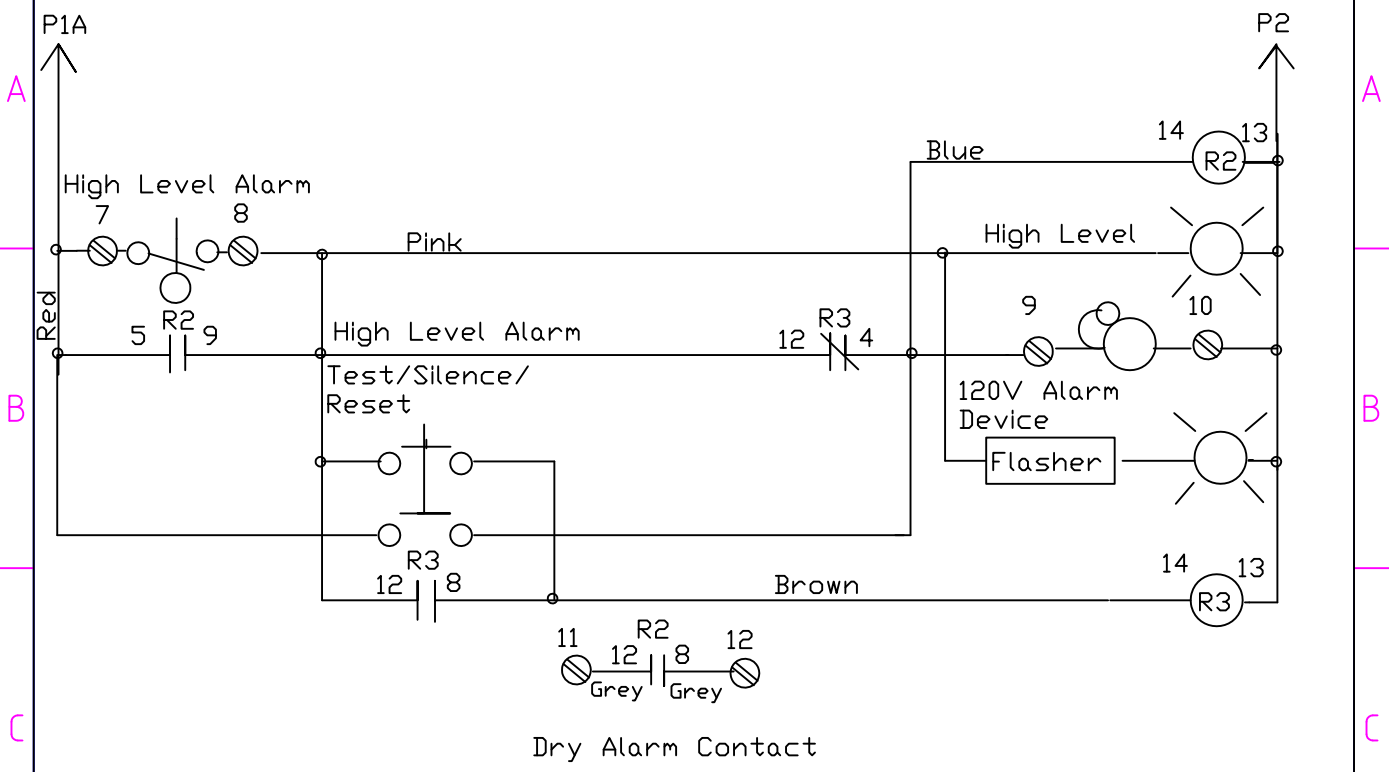


All control circuit wiring 16 awg



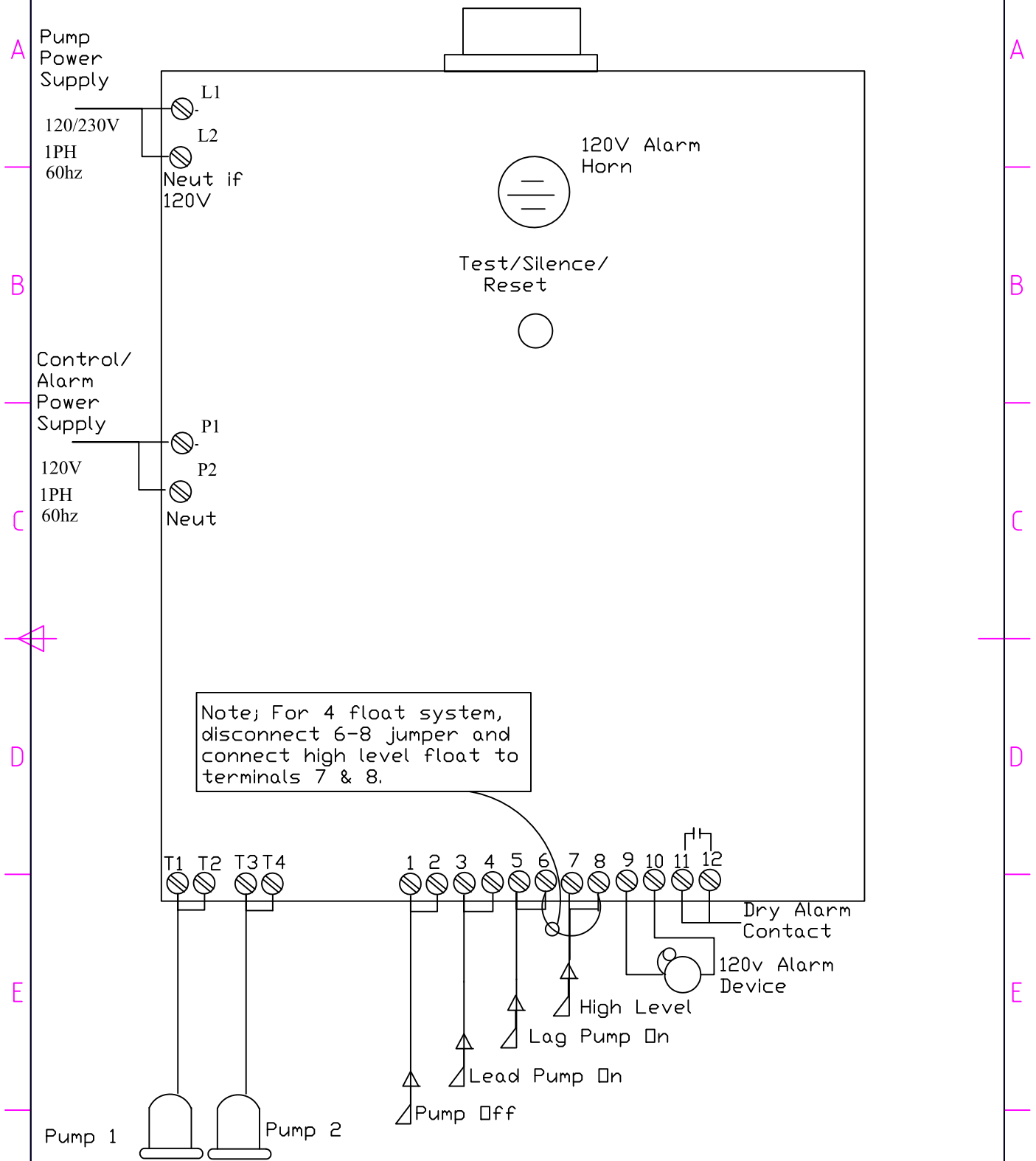
Itemref	Quantity	Title/Name, designation, material, dimension etc			Article No./Reference	
Designed by pdh	Checked by pdh	Approved by - date 03/11/09	File name 120-0001 pg 1	Date 03/11/09	Scale 1:1	
EE Controls			D10020			
			120-0001	Edition 0	Sheet 1/3	

1	2	3	4	
RevNo	Revision note	Date	Signature	Checked



Itemref	Quantity	Title/Name, designation, material, dimension etc			Article No./Reference	
Designed by PDH	Checked by PDH	Approved by - date 03/11/09	File name 120-0001	Date 03/11/09	Scale 1:1	
EE Controls			D10020			
			120-0001		Edition 0	Sheet 2/3

1	2	3	4
RevNo	Revision note	Date	Signature
			Checked



Note; For 4 float system, disconnect 6-8 jumper and connect high level float to terminals 7 & 8.

Itemref	Quantity	Title/Name, designation, material, dimension etc	Article No./Reference		
Designed by pdh	Checked by pdh	Approved by - date 03/11/09	File name 120-0001 pg 3	Date 03/11/09	Scale 1:1
EE Controls			D10020		
			120-0001	Edition 0	Sheet 3/3