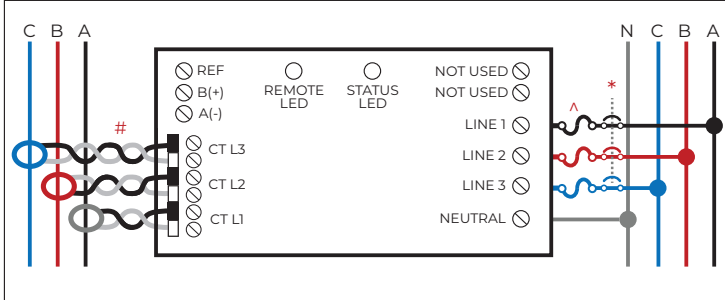


BACnet® COMPATIBLE POWER METER KIT

RIBPM413-BC-KIT

Power Meter Kit, 120-277 Vac, 3-Phase, Disconnect Switch, Fuses and Fuse Holder



BACnet® DETAILS

Device ID Default: 277050
MAC Address Default: 50
Baud Rate Default: 38400

CT-Ratings (AV-8005) must be updated with the current rating of the CTs used with the device

See Bulletin B2646 for further details



PIC Statement Available on Website



POWER METER - MODEL RIBPM413-BC

Power Input Rating	Powered from Line 1 to Neutral, 120-277 Vac, < 2 VA Neutral connection required for Input Power
Headers	Pluggable screw terminals, accept up to 12 to 28 AWG wire
Frequency	50/60 Hz
Operating Temperature	-20 to 70°C, -4 to 158°F
Humidity	5 to 95% (noncondensing)
Altitude	Up to 2,000 m
Remote LED	Green = Rx, Amber = Tx
Status LED	See Bulletin B2646
Dimensions	2.75" H x 4.5" W x 0.85" D with headers installed
Origin	Made of US and non-US parts
Approvals	CE, UL Listed, UL 61010-1 and UL 61010-2-30, C-UL, RoHS, FCC Part 15 Class B
Terminal Torque	4.43 in-lbs
Network Media	18-22 AWG, 2-Core, shielded twisted pair
Network Termination	For End of Line (EOL) device, use 120 Ω Resistor. See Bulletin B2646 for details
Polarity	Network is polarity sensitive
Baud Rate	9600, 19200, 38400, 57600, 76800, 115200; set via BACnet®

FUSES^

Type	Class CC, Fast-acting
Rated Current	2 Amps
Rated Voltage	600 Vac
Interrupt Rating	200kA
Approvals	CSA Certified, CE, RoHS

FUSE HOLDER

Type	Class CC
Rated Current	30 Amps
Rated Voltage	600 Vac
Interrupt Rating	200kA
Max Ambient Temp	125°C, 257°F
Wire Gauge	10-14 AWG
Terminal Torque	20 in-lbs
Approvals	UL Listed, CE, CSA Certified, RoHS

DISCONNECT SWITCH*

Rated Current	16 Amps
Rated Voltage	600 Vac
Interrupt Rating	10kA
Ambient Temperature	-25 to 50°C, -13 to 122°F
Wire Gauge	10-14 AWG
Mechanical Life	1 million cycles
Terminal Torque	7 in-lbs
Approvals	UL508, IEC 60947-3, EN 60947-3 and CSA 22.2, CE, RoHS

ENCLOSURE

Construction	18 Gauge Steel
Cover Type	Screw Down Cover
Dimensions	8.3" H x 7.7" W x 3.9" D (9.2"W with switch)
Rating	NEMA 1
Approvals	UL Listed, CE, RoHS

METERED CIRCUIT

Voltage Range	120-277 Vac L-N (CAT III); 1P 2/3W, 3P 4W
Voltage Overload	1.1 x Voltage Range
Voltage Burden	< 0.1 VA @ 277 Vac
Frequency Range	45 - 65 Hz
Current Transformer	333 mV Output (Sold Separately)
Current Overload	1.2 x CT Output
Power Overload	1.2 x Voltage Range x CT Output

MEASUREMENT ACCURACY

Voltage	0.5%, < 0.2% typical from 80-120%
Current	0.5%, < 0.2% typical from 10-120%
Power	0.5%, < 0.2% typical from 10-120%
Power Factor	0.5% between 0.5 and 1.0

NOTES

Bi-directional for NET metering
See Bulletin 2818 for installation information
For compatible Current Transformers, see RIB® Functional Devices, Inc. CT Series models #