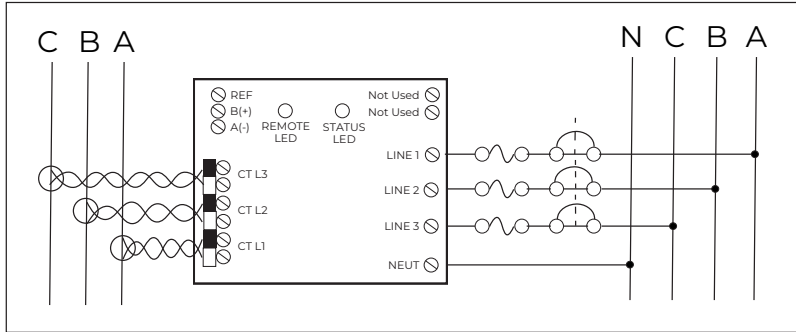


BACnet® COMPATIBLE POWER METER

RIBTPM413-BC

Power Meter, 120-277 Vac, 3-Phase, NEMA 1 Housing



SPECIFICATIONS

Power Input Rating	Powered from Line 1 to Neutral, 120-277 Vac, < 2 VA Neutral connection required for Input Power
Headers	Pluggable screw terminal, accepts up to 12 AWG stranded copper wire
Frequency	50/60 Hz
Operating Temperature	-4 to 158 °F
Storage Temperature	-40 to 185 °F
Humidity	5 to 95% (noncondensing)
Altitude	Up to 2,000 m
Remote LED	Green = Rx, Amber = Tx
Status LED	See Bulletin B2646
Dimensions	4.28"H x 7.00"W x 2.00"D with 0.75" NPT hub
Origin	Made of US and non-US parts
Track Mount	MT212-6 Mounting Track Provided
Approvals	CE, UL Listed, UL 61010-1 and UL 61010-2-30, C-UL, RoHS, FCC Part 15 Class B (circuit board)
Network Media	18-22 AWG, 2-Core, shielded twisted pair
Network Termination	120 Ω Resistor. See Bulletin B2646 for details
Polarity	Network is polarity sensitive
Baud Rate	9600, 19200, 38400, 57600, 76800, 115200; set via BACnet®

MEASUREMENT ACCURACY

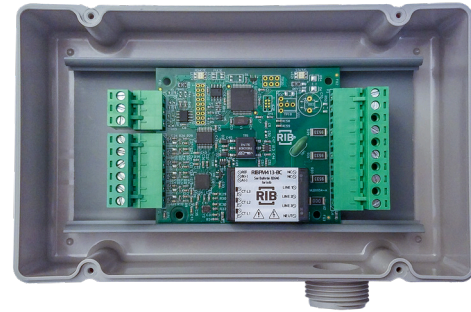
Voltage	0.5%, < 0.2% typical from 80-120%
Current	0.5%, < 0.2% typical from 10-120%
Power	0.5%, < 0.2% typical from 10-120%
Power Factor	0.5% between 0.5 and 1.0

NOTE

Bi-directional for NET metering



PIC Statement Available on Website



BACnet® DETAILS

Device ID Default:	277050
MAC Address Default:	50
Baud Rate Default:	38400
CT-Ratings (AV-8005) must be updated with the current rating of the CTs used with the device	
See Bulletin B2646 for installation and further details	

METERED CIRCUIT

Voltage Range	120-277 Vac L-N (CAT III); 1P 2/3W, 3P 4W
Voltage Overload	1.1 x Voltage Range
Voltage Burden	< 0.1 VA @ 277 Vac
Frequency Range	45 - 65 Hz
Current Transformer	333 mV Output
Current Overload	1.2 x CT Output
Power Overload	1.2 x Voltage Range x CT Output

